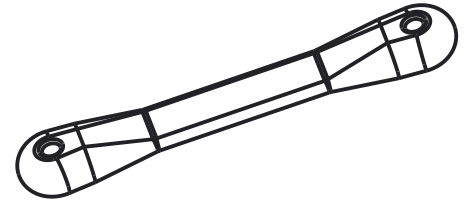
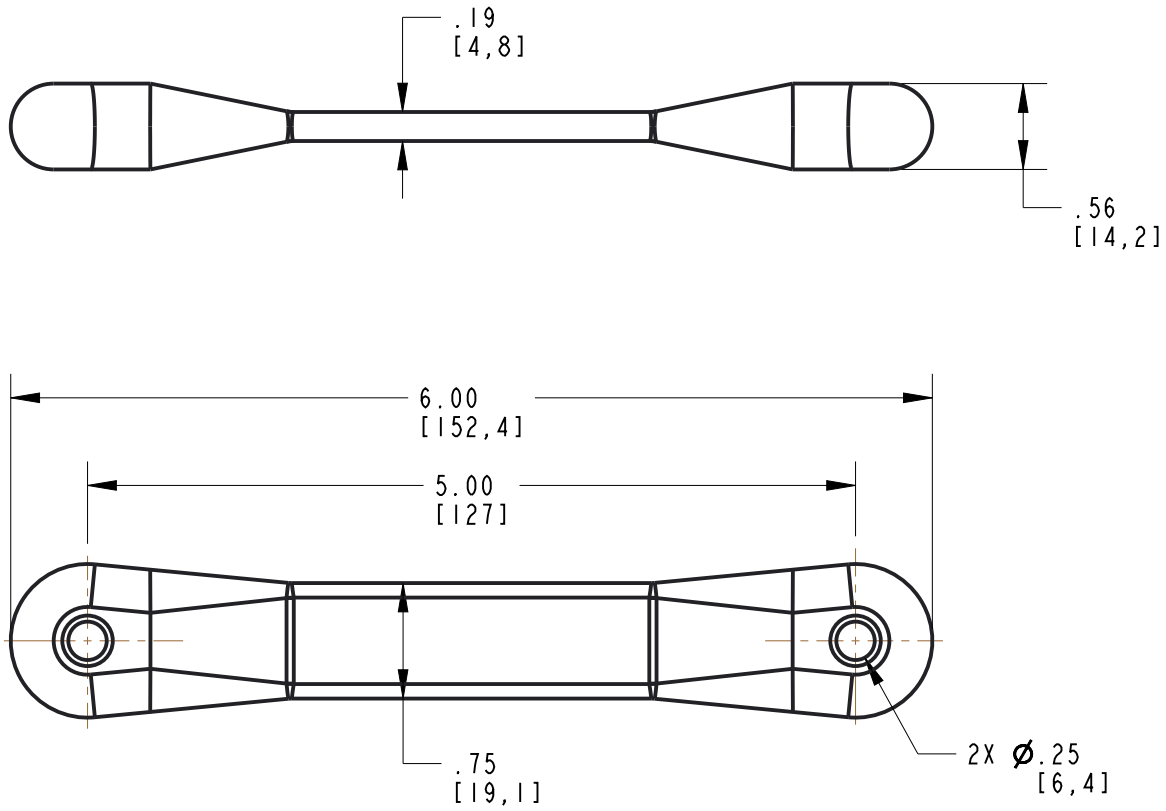



DRG NO. **STRAP-6IN**



*EPDM, AVAILABLE WITH OR WITHOUT S-HOOKS

	TITLE: STRAP-6IN		
	<small>THE INFORMATION CONTAINED IN THIS DRAWING IS THE SOLE PROPERTY OF EBSCO ANY REPRODUCTION IN PART OR AS A WHOLE WITHOUT THE WRITER PERMISSION OF EBSCO IS PROHIBITED.</small>		
	TOLERANCES PER RMA STANDARD A3	REV. A	DATE: 02-19-20
			UNITS: INCH [MM]
1330 HOLMES RD. ELGIN, IL 60123			
SPECIFICATIONS SUBJECT TO CHANGE			