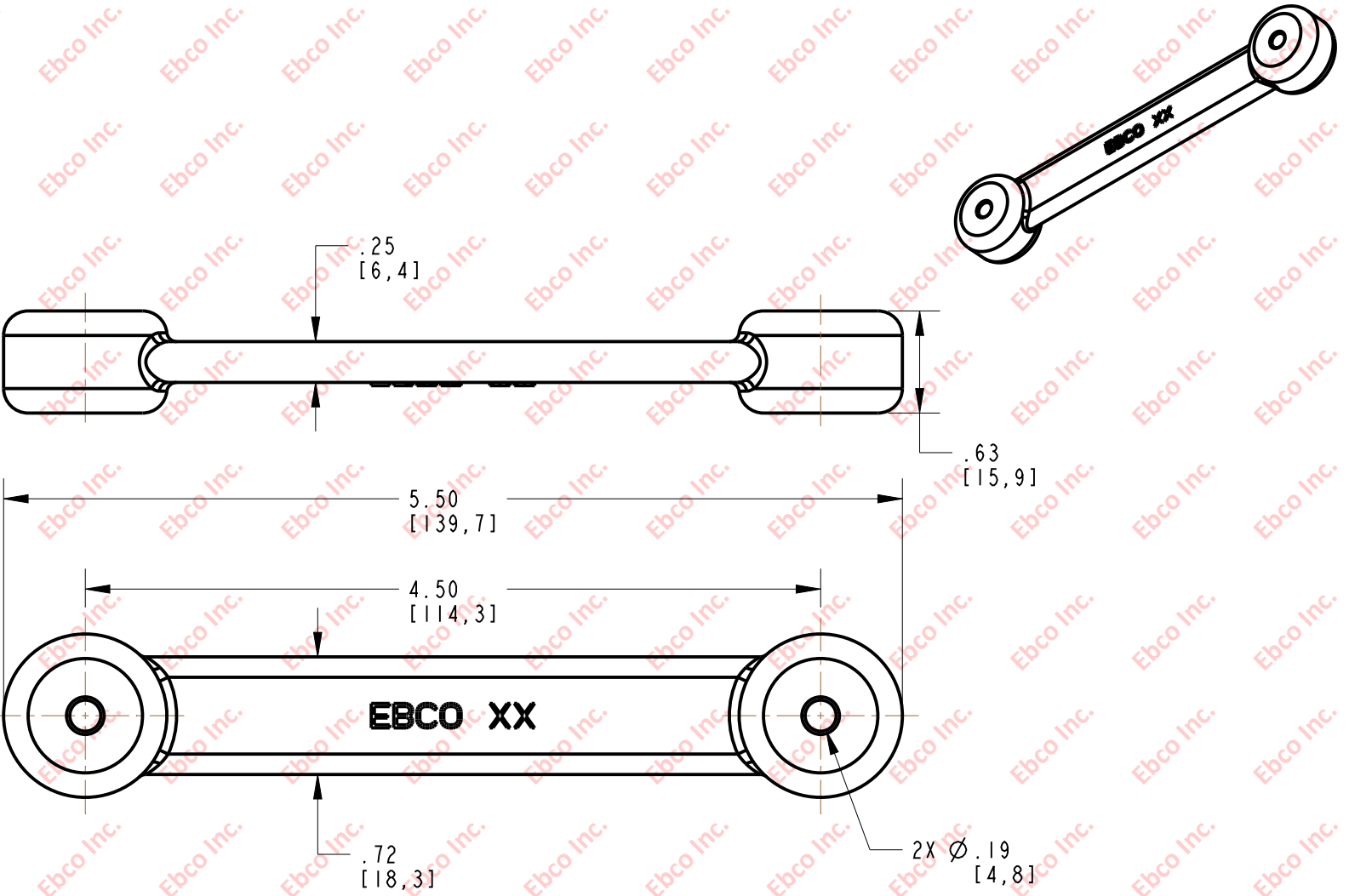


STRAP-5IN

DRG. NO.



B

B

A

A

*EPDM, AVAILABLE WITH OR WITHOUT S-HOOKS

| | | |
|--|--|---|
| | TITLE: STRAP-5IN | |
| | <small>THE INFORMATION CONTAINED IN THIS DRAWING IS THE SOLE PROPERTY OF EBCO ANY REPRODUCTION IN PART OR AS A WHOLE WITHOUT THE WRITTEN PERMISSION OF EBCO IS PROHIBITED.</small> | |
| | TOLERANCES PER RMA STANDARD A3 | REV. A DATE: 08-29-17 UNITS: INCH [MM] |
| | 1330 HOLMES RD. ELGIN, IL 60123 | |

SPECIFICATIONS SUBJECT TO CHANGE