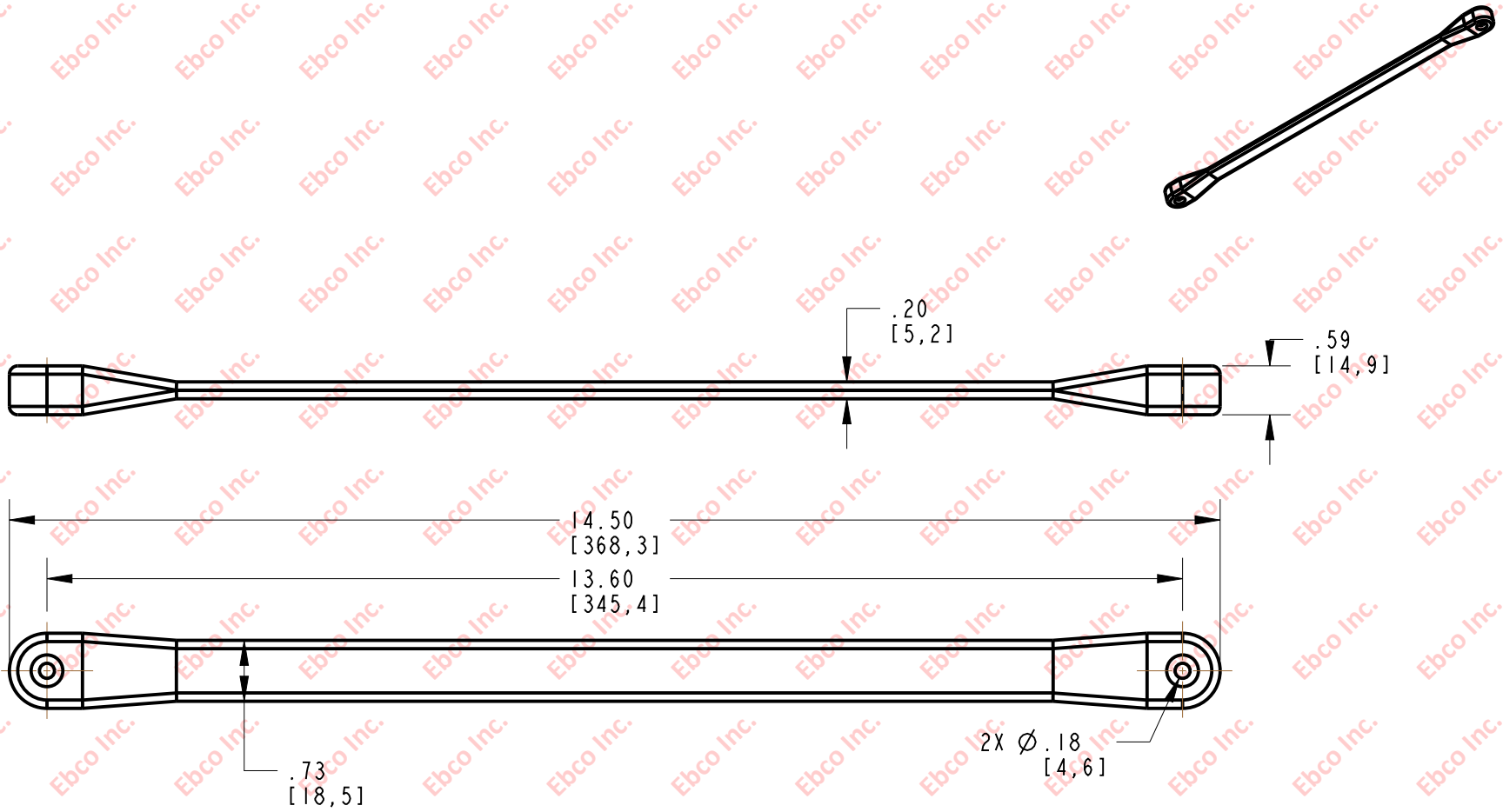


STRAP-15IN

DRG. NO.

B


A



B

A

*EPDM, AVAILABLE WITH OR WITHOUT S-HOOKS

	TITLE: STRAP-15IN	
	<small>THE INFORMATION CONTAINED IN THIS DRAWING IS THE SOLE PROPERTY OF EBCO ANY REPRODUCTION IN PART OR AS A WHOLE WITHOUT THE WRITTEN PERMISSION OF EBCO IS PROHIBITED.</small>	
	TOLERANCES PER RMA STANDARD A3	REV. A
	DATE: 08-28-17	UNITS: INCH [MM]
1330 HOLMES RD. ELGIN, IL 60123		
SPECIFICATIONS SUBJECT TO CHANGE		