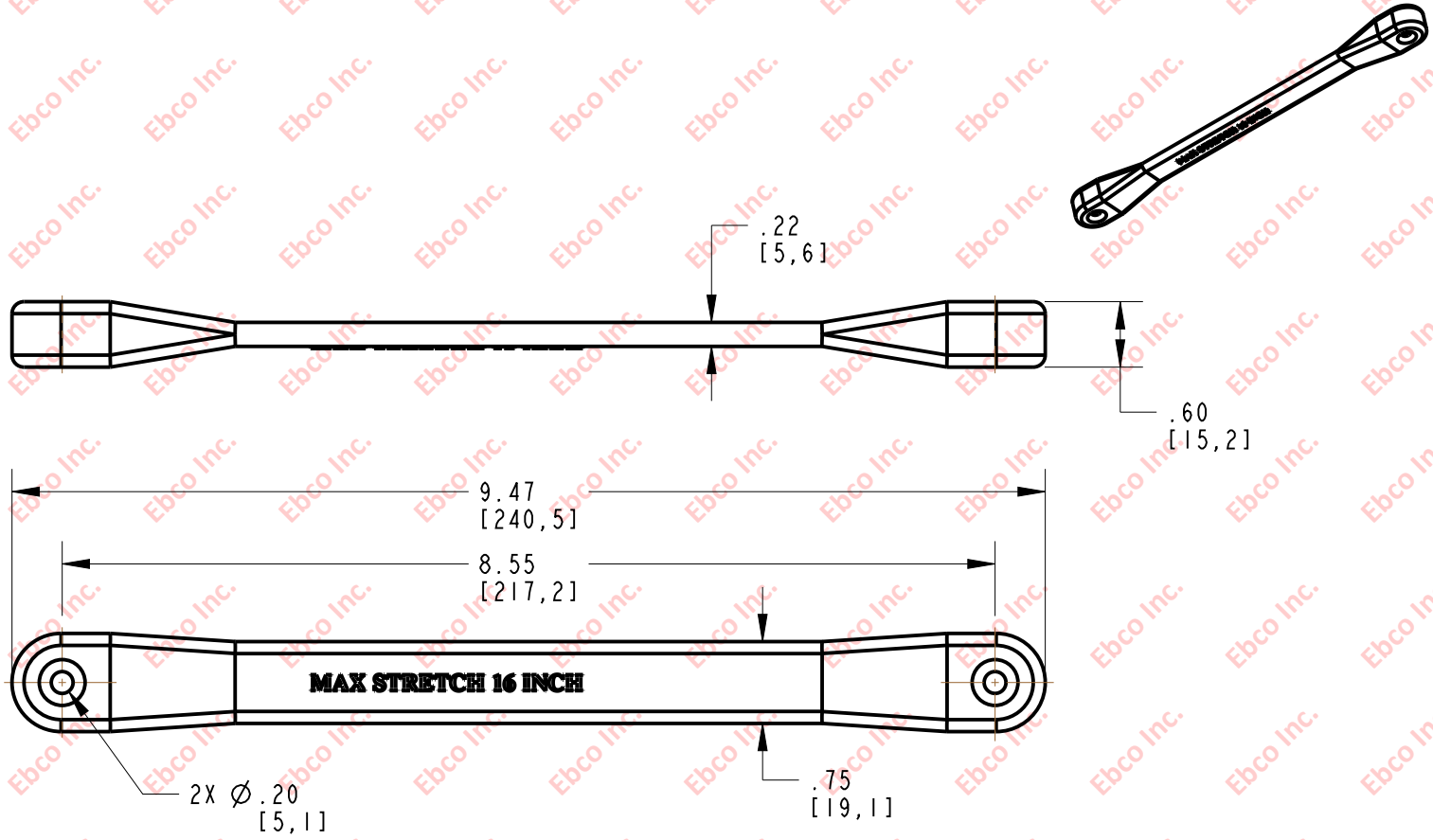


STRAP-10IN

IMP. NO.

B


A



B

A

*EPDM, AVAILABLE WITH OR WITHOUT S-HOOKS

 <p>Ebco</p>	TITLE: STRAP-10IN		
	<small>THE INFORMATION CONTAINED IN THIS DRAWING IS THE SOLE PROPERTY OF EBCO ANY REPRODUCTION IN PART OR AS A WHOLE WITHOUT THE WRITTEN PERMISSION OF EBCO IS PROHIBITED.</small>		
	TOLERANCES PER RMA STANDARD A3	REV. A	DATE: 08-29-17
	1330 HOLMES RD. ELGIN, IL 60123		UNITS: INCH [MM]
SPECIFICATIONS SUBJECT TO CHANGE			