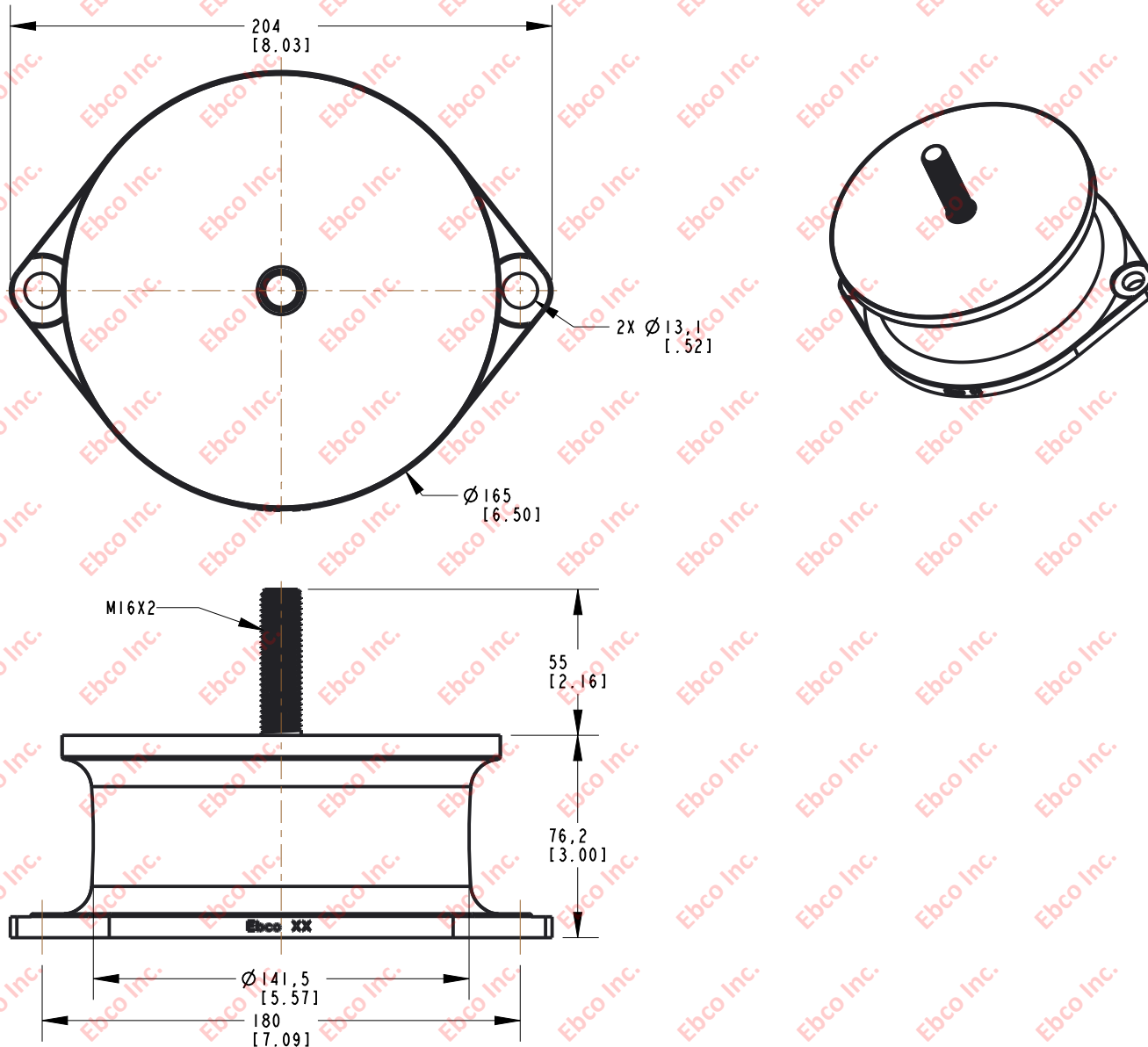



6801

DWG. NO.



PART NUMBER	SHEAR STIFFNESS
NATURAL RUBBER	LBS/IN
6801 - 73	1000
6801 - 74	1300
6801 - 75	1700

	TITLE:	6801
	<small>THE INFORMATION CONTAINED IN THIS DRAWING IS THE SOLE PROPERTY OF EBCO ANY REPRODUCTION IN PART OR AS A WHOLE WITHOUT THE WRITTEN PERMISSION OF EBCO IS PROHIBITED.</small>	
	TOLERANCES PER RMA STANDARD A3	REV. D
	DATE: 06-11-21	UNITS: mm [INCH]
1330 HOLMES RD. ELGIN, IL 60123		
SPECIFICATIONS SUBJECT TO CHANGE		