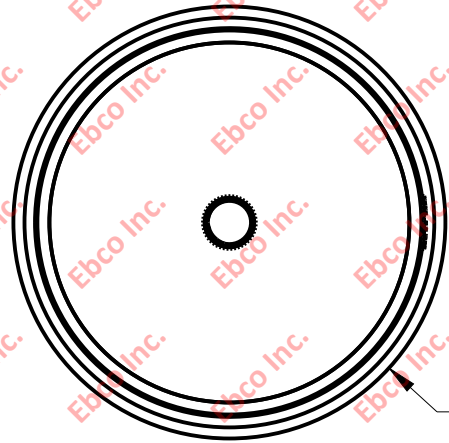
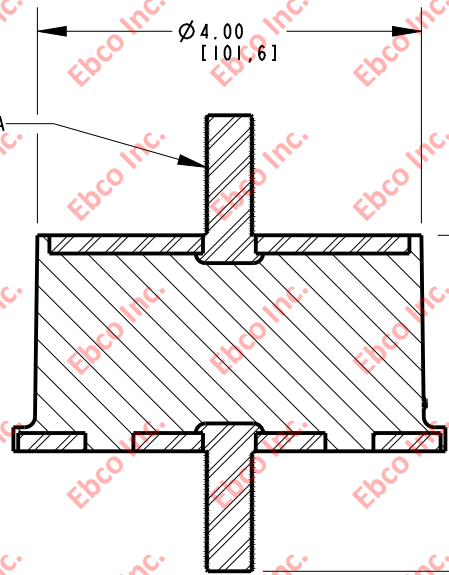


6705



Ø 4.50
[114,3]

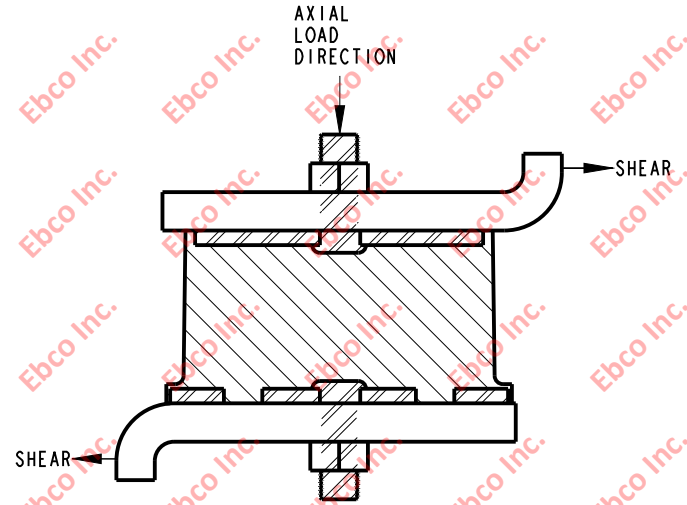
2X 1/2-20 UNF-2A



2.25
[57,2]

2X 1.25
[31,8]

INSTALLATION VIEW (Shown under no load)



SPECIFICATIONS

PART NUMBER		MAX. AXIAL DEFLECTION		MAX. AXIAL LOAD		MAX. SHEAR DEFLECTION		MAX. SHEAR LOAD	
NATURAL RUBBER	NEOPRENE	in	mm	lb	N	in	mm	lb	N
6705-70	6705-80	0.39	9.91	875	3892	0.5	12.7	170	756
6705-71	6705-81			1000	4448			200	890
6705-72	6705-82			1300	5782			260	1156
6705-74	6705-84			2000	8896			390	1735
6705-75	6705-85			2500	11120			480	2135
6705-76	6705-86			2900	12899			550	2446
6705-77	6705-87			3800	16902			730	3247
6705-78	6705-88			4400	19571			850	3781



TITLE: 6705	
THE INFORMATION CONTAINED IN THIS DRAWING IS THE SOLE PROPERTY OF EBCO. ANY REPRODUCTION IN PART OR AS A WHOLE WITHOUT THE WRITTEN PERMISSION OF EBCO IS PROHIBITED.	
TOLERANCES PER RMA STANDARD A3	REV. B
DATE: 02-15-21	UNITS: INCH [MM]

1330 HOLMES RD. ELGIN, IL 60123

SPECIFICATIONS SUBJECT TO CHANGE