

6610

2X  $\varnothing .53$   
[13,5]

2

2

$\varnothing 4.48$   
[113,9]

M12 X1.75

5.90  
[149,8]

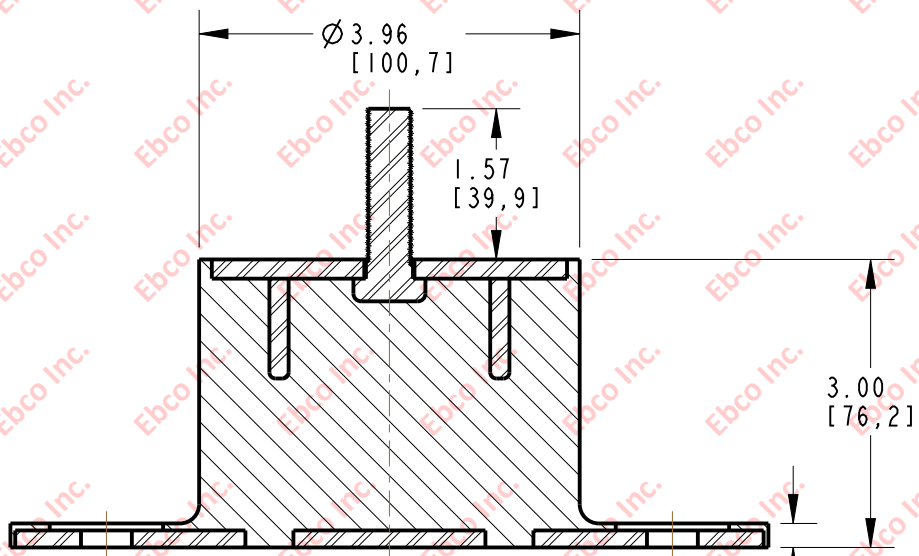
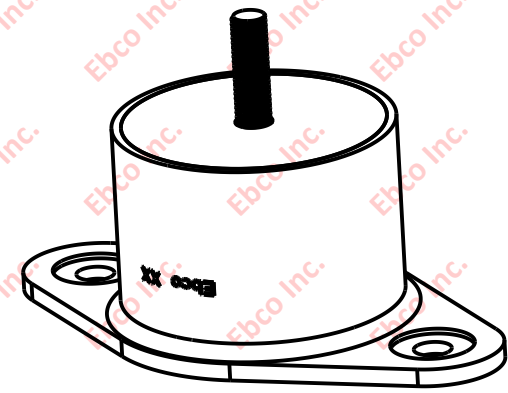
7.90  
[200,6]

$\varnothing 3.96$   
[100,7]

1.57  
[39,9]

3.00  
[76,2]

.25  
[6,4]



SECTION X-X

SPECIFICATIONS

PART NUMBER	MAX RECOMMENDED LOAD	RADIAL STIFFNESS
	LBS	LBS/IN
6610-77	620	1240
6610-78	820	1640



TITLE:	6610	
THE INFORMATION CONTAINED IN THIS DRAWING IS THE SOLE PROPERTY OF EBCO. ANY REPRODUCTION IN PART OR AS A WHOLE WITHOUT THE WRITTEN PERMISSION OF EBCO IS PROHIBITED.		
TOLERANCES PER RMA STANDARD	REV. <b>A</b>	DATE: 06-23-20
A3		UNITS: INCH [MM]
1330 HOLMES RD. ELGIN, IL 60123		

SPECIFICATIONS SUBJECT TO CHANGE