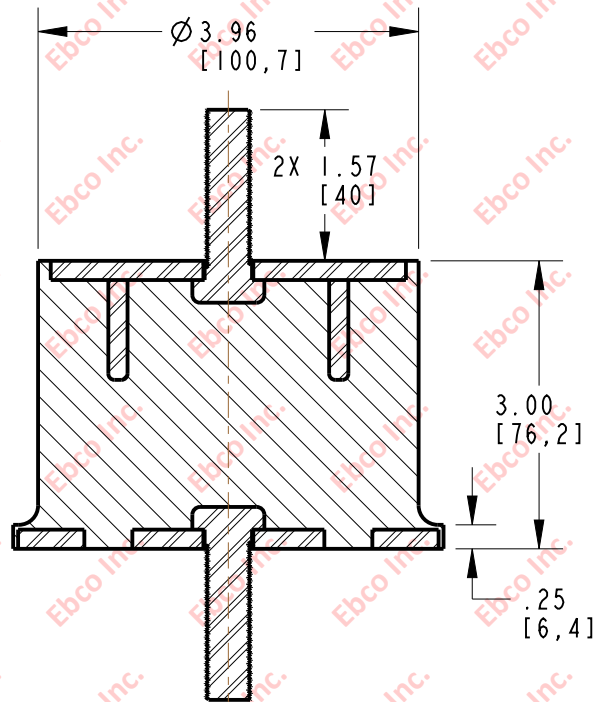
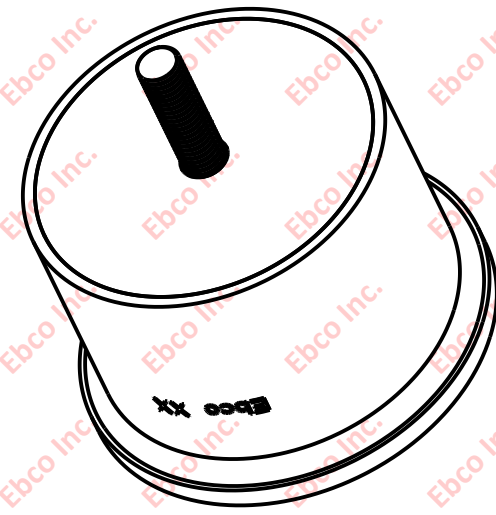
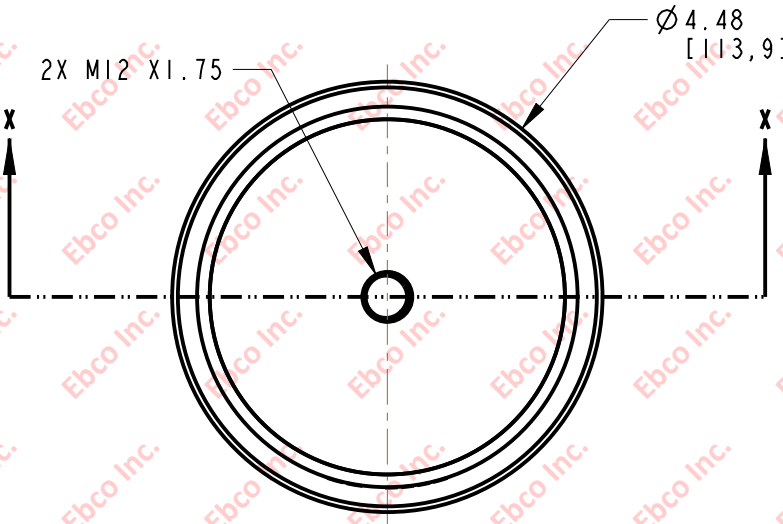


6600



SECTION X-X

SPECIFICATIONS

PART NUMBER	MAX RECOMMENDED RADIAL LOAD	RADIAL STIFFNESS
	LBS	LBS/IN
6800-77	620	1240
6600-78	820	1640



TITLE: 6600		
THE INFORMATION CONTAINED IN THIS DRAWING IS THE SOLE PROPERTY OF EBSCO ANY REPRODUCTION IN PART OR AS A WHOLE WITHOUT THE WRITTEN PERMISSION OF EBSCO IS PROHIBITED.		
TOLERANCES PER RMA STANDARD A3	REV. A	DATE: 06-23-20
		UNITS: INCH [MM]
1330 HOLMES RD. ELGIN, IL 60123		

SPECIFICATIONS SUBJECT TO CHANGE