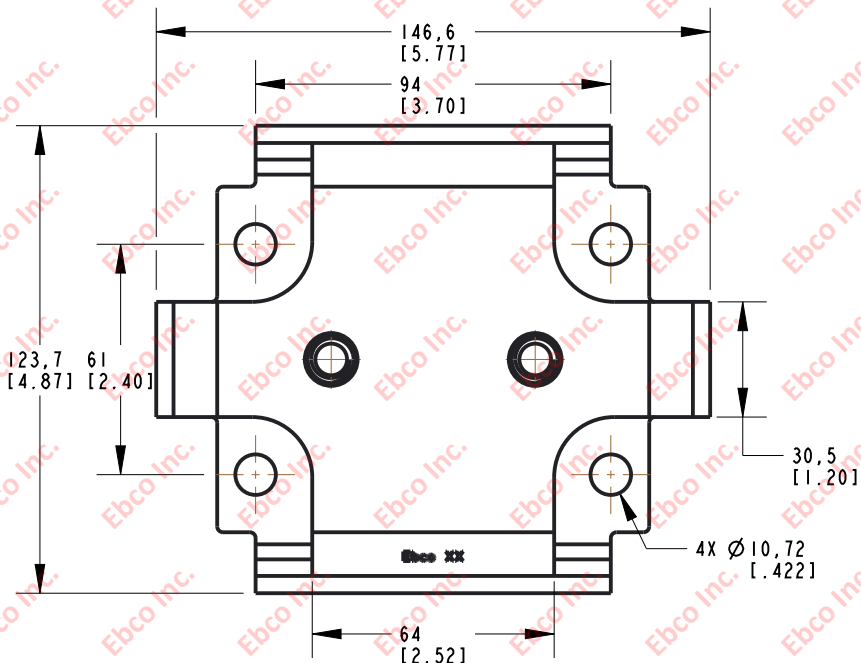
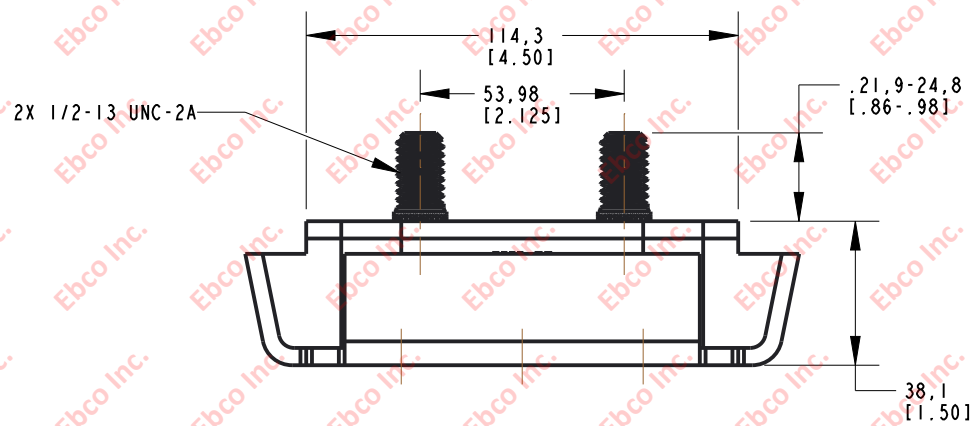
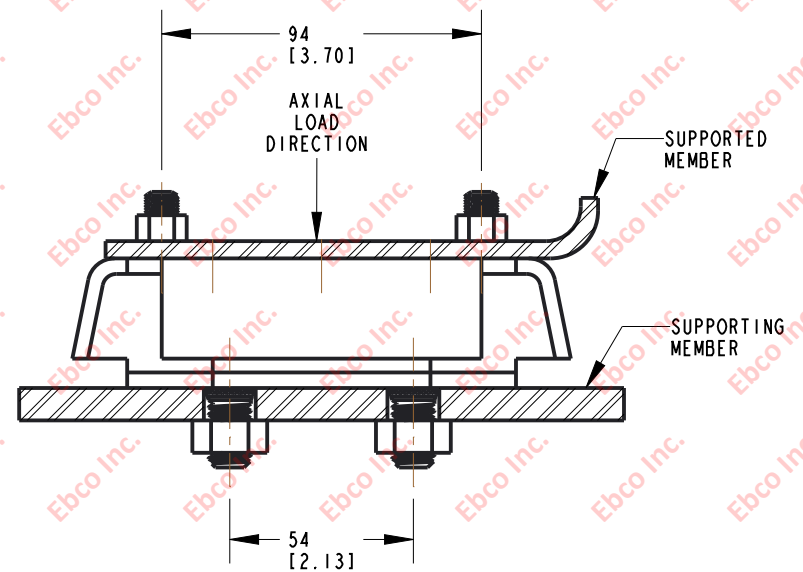


6300

DWG. NO.



INSTALLATION VIEW (Shown under no load)



SPECIFICATIONS

PART NUMBER	MAX. AXIAL DEFLECTION		MAX. AXIAL LOAD	
	in	mm	lb	N
6300-75	0.12	3.05	2200	9786



TITLE:	6300
THE INFORMATION CONTAINED IN THIS DRAWING IS THE SOLE PROPERTY OF EBCO ANY REPRODUCTION IN PART OR AS A WHOLE WITHOUT THE WRITTEN PERMISSION OF EBCO IS PROHIBITED.	
TOLERANCES PER RMA STANDARD	A3
REV.	B
DATE:	06-11-21
UNITS:	mm [INCH]
1330 HOLMES RD. ELGIN, IL 60123	

SPECIFICATIONS SUBJECT TO CHANGE