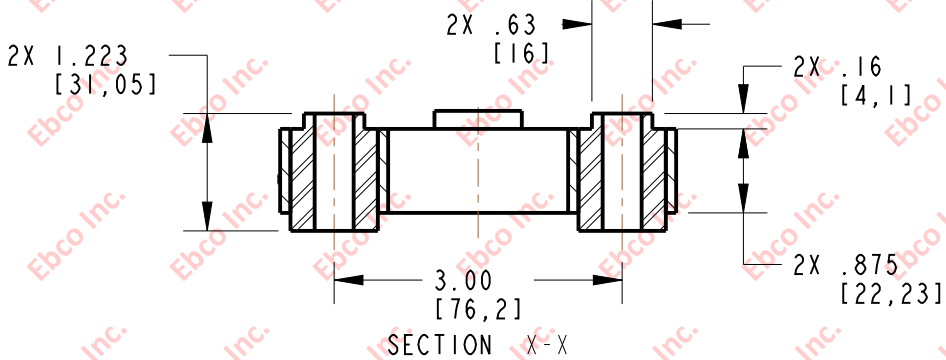
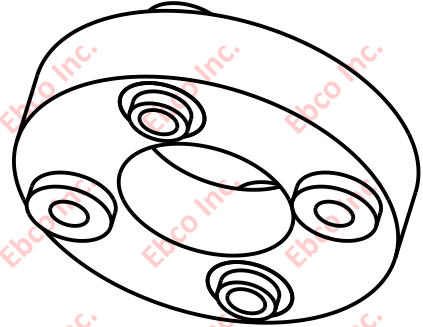
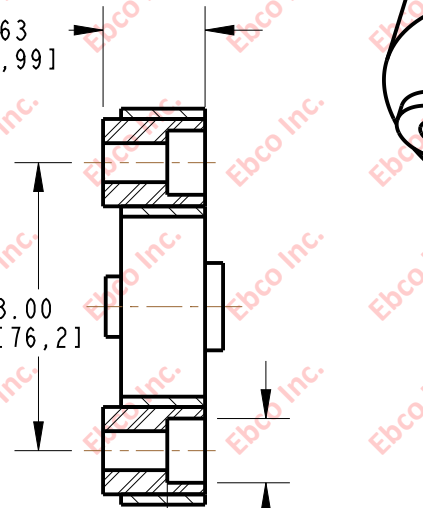
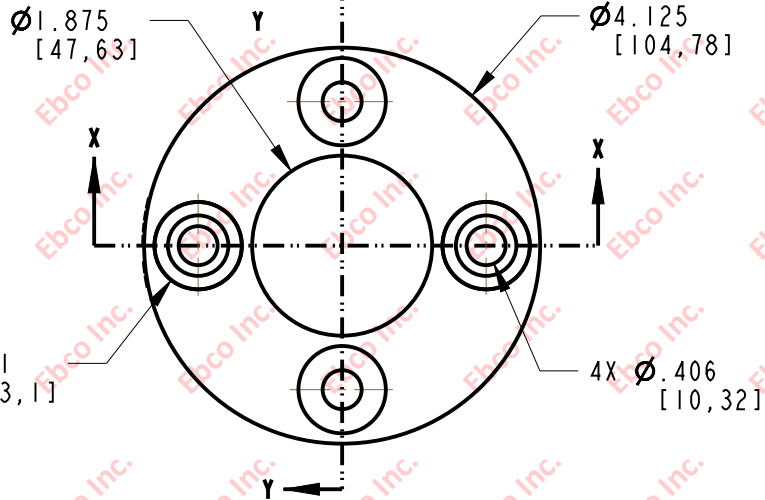


6112

IMP. NO.



TITLE: 6112		
THE INFORMATION CONTAINED IN THIS DRAWING IS THE SOLE PROPERTY OF EBCO ANY REPRODUCTION IN PART OR AS A WHOLE WITHOUT THE WRITTEN PERMISSION OF EBCO IS PROHIBITED.		
TOLERANCES PER RMA STANDARD A3	REV. A	DATE: 07-24-20
		UNITS: INCH [MM]
1330 HOLMES RD. ELGIN, IL 60123		

\*AVAILABLE IN A VARIETY OF MATERIALS AND STIFFNESS

SPECIFICATIONS SUBJECT TO CHANGE