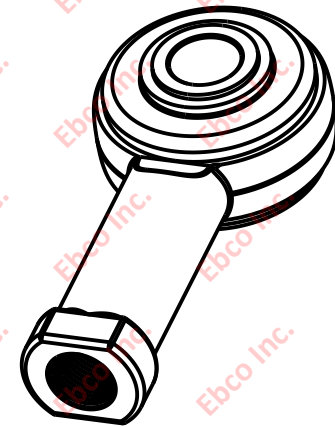
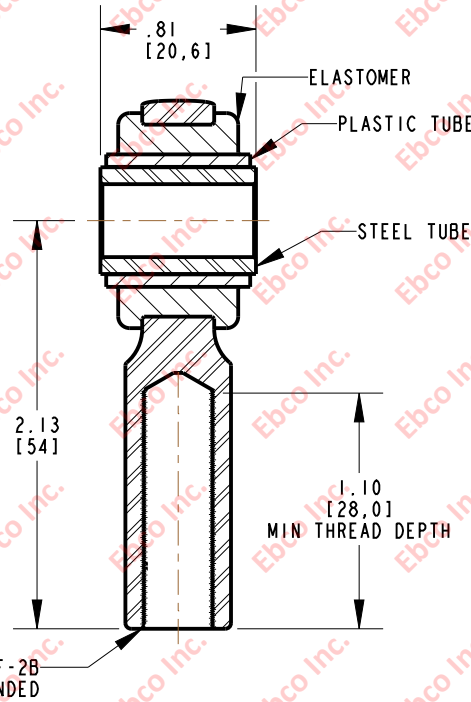
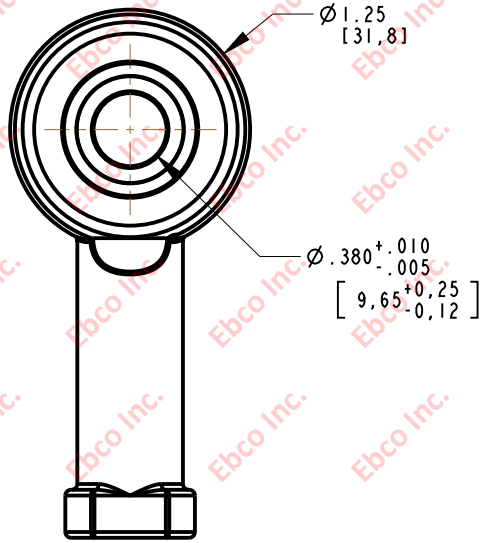
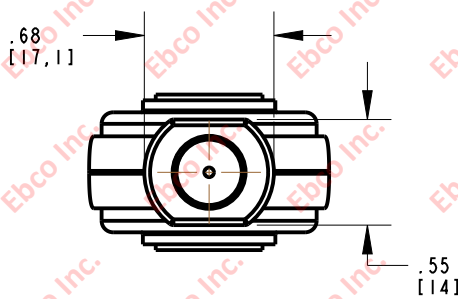


5708



SCALE 1.000



SPECIFICATIONS

PART NO.		DUROMETER (SHORE A)
NATURAL RUBBER	NEOPRENE	55
5708-74	5708-84	



TITLE: 5708		
THE INFORMATION CONTAINED IN THIS DRAWING IS THE SOLE PROPERTY OF EBCO ANY REPRODUCTION IN PART OR AS A WHOLE WITHOUT THE WRITTEN PERMISSION OF EBCO IS PROHIBITED.		
TOLERANCES PER RMA STANDARD A3	REV. C	DATE: 01-06-14
		UNITS INCH [MM]
1330 HOLMES RD. ELGIN, IL 60123		

SPECIFICATIONS SUBJECT TO CHANGE