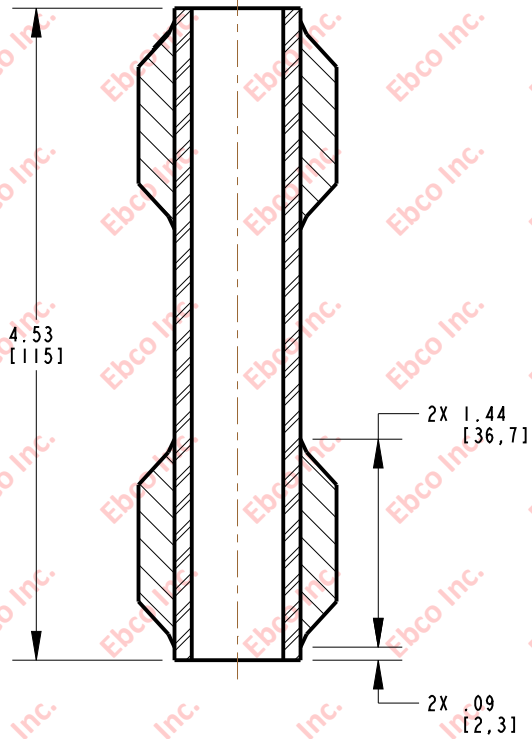
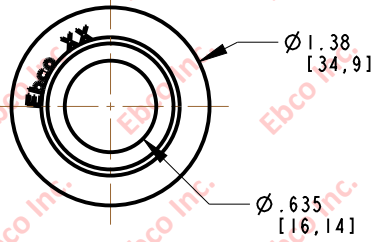
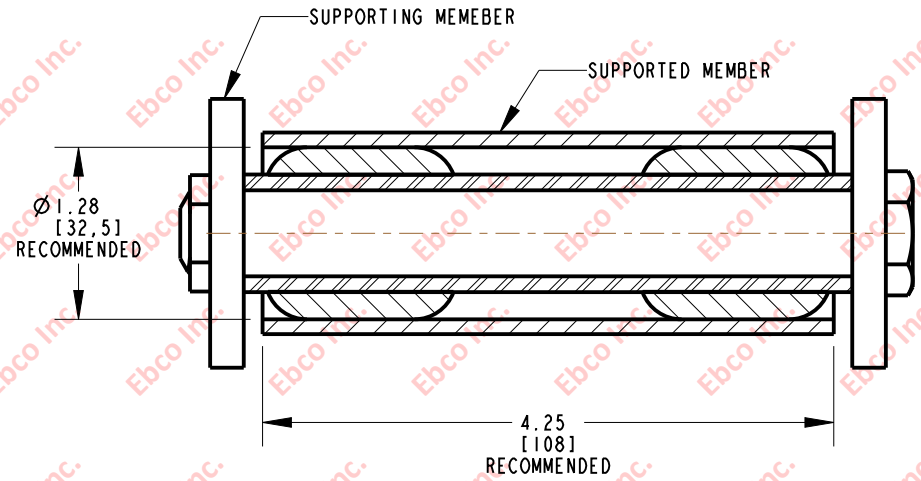


5400




SECTION X-X

INSTALLATION VIEW (Shown under no load)



*AVAILABLE IN A VARIETY OF MATERIALS AND STIFFNESS

	TITLE: 5400	
	<small>THE INFORMATION CONTAINED IN THIS DRAWING IS THE SOLE PROPERTY OF EBCO. ANY REPRODUCTION IN PART OR AS A WHOLE WITHOUT THE WRITTEN PERMISSION OF EBCO IS PROHIBITED.</small>	
	TOLERANCES PER RMA STANDARD A3	REV. A
	DATE: 08-07-17	UNITS: INCH [MM]
1330 HOLMES RD. ELGIN, IL 60123		
SPECIFICATIONS SUBJECT TO CHANGE		