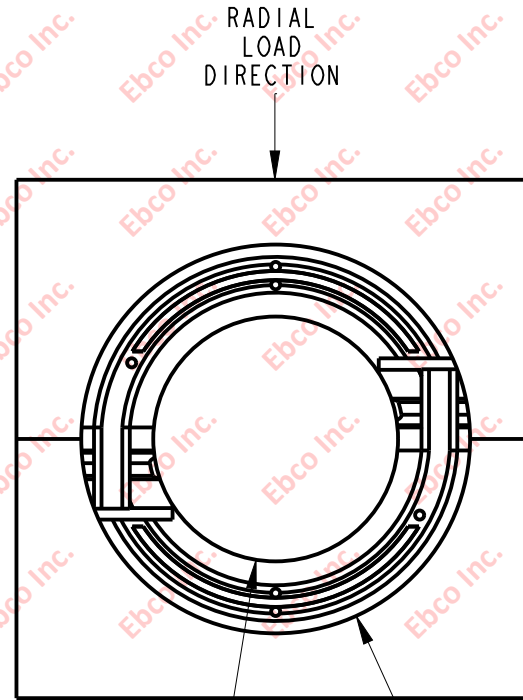
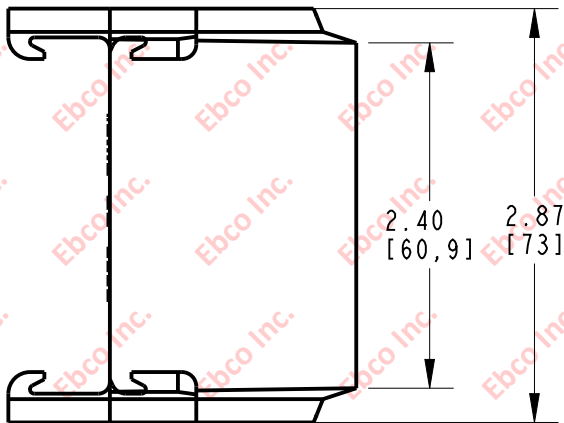
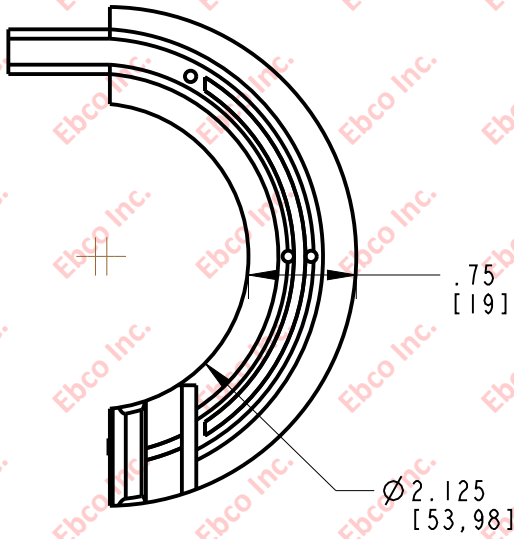


5349




Ø 2.125 SWAY BAR  
[53,98]

Ø 3.375 HOUSING I.D.  
[85,73]

REQUIRES 2 PIECES FOR ASSEMBLY

\*AVAILABLE IN A VARIETY OF MATERIALS AND STIFFNESS

	TITLE: 5349	
	<small>THE INFORMATION CONTAINED IN THIS DRAWING IS THE SOLE PROPERTY OF EBCO. ANY REPRODUCTION IN PART OR AS A WHOLE WITHOUT THE WRITTEN PERMISSION OF EBCO IS PROHIBITED.</small>	
	TOLERANCES PER RMA STANDARD A3	REV. A
	DATE: 04-14-20	UNITS: INCH [MM]
1330 HOLMES RD. ELGIN, IL 60123		
SPECIFICATIONS SUBJECT TO CHANGE		