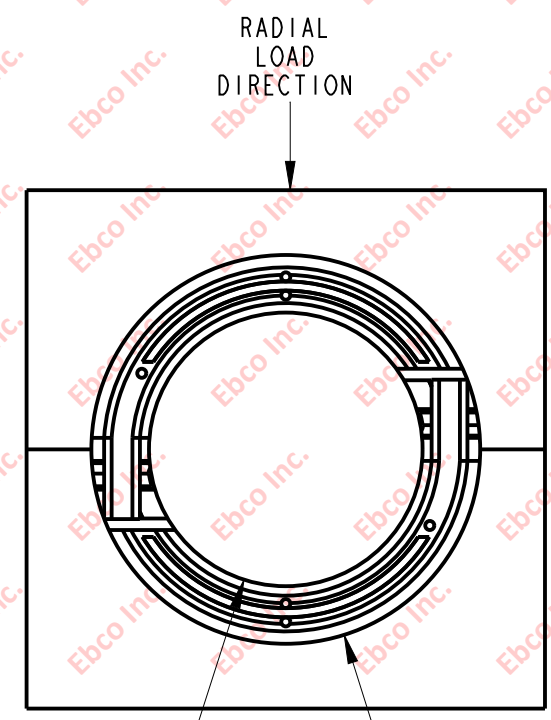
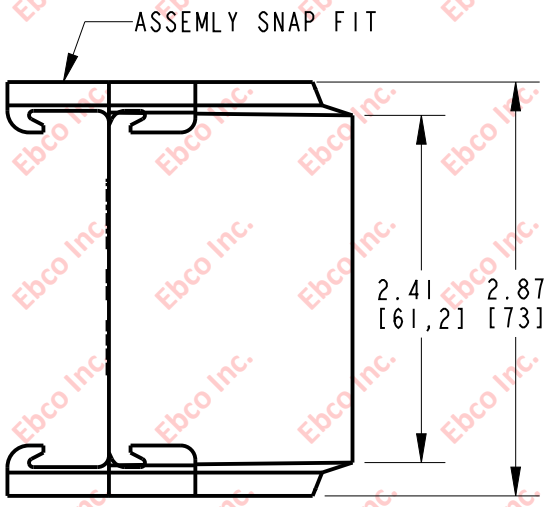
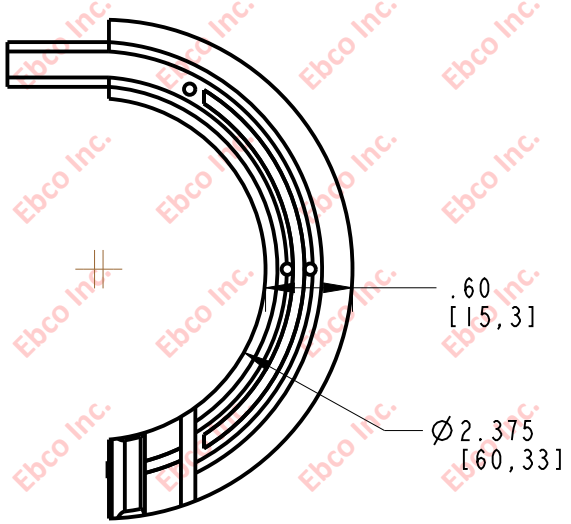



5346



$\text{Ø } 2.375$ [60, 33] SWAY BAR $\text{Ø } 3.375$ [85, 73] HOUSING I. D.

REQUIRES 2 PIECES FOR ASSEMBLY

*AVAILABLE IN A VARIETY OF MATERIALS AND STIFFNESS

	TITLE: 5346	
	<small>THE INFORMATION CONTAINED IN THIS DRAWING IS THE SOLE PROPERTY OF EBCO. ANY REPRODUCTION IN PART OR AS A WHOLE WITHOUT THE WRITTEN PERMISSION OF EBCO IS PROHIBITED.</small>	
	TOLERANCES PER RMA STANDARD A3	REV. A
	DATE: 04-14-20	UNITS: INCH [MM]
1330 HOLMES RD. ELGIN, IL 60123		
SPECIFICATIONS SUBJECT TO CHANGE		