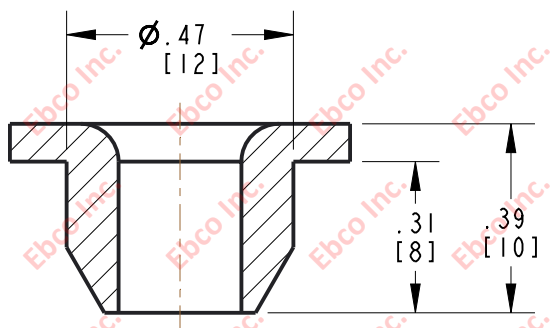
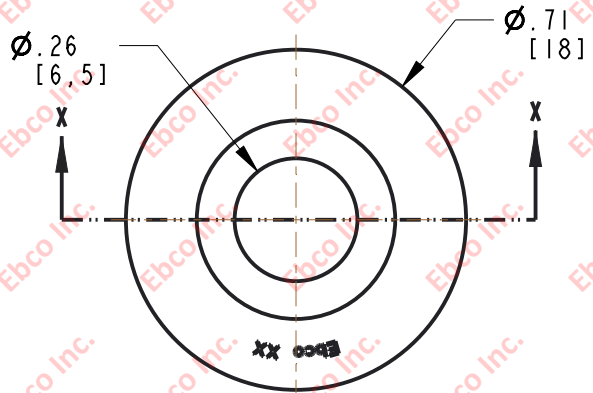


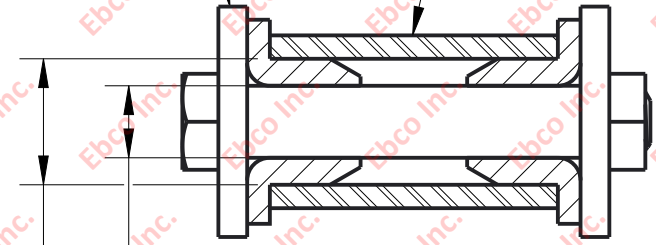
5311



SECTION X-X

SUPPORTING MEMBER

SUPPORTED MEMBER



Ø.44  
[11.1]  
RECOMMENDED

Ø.25  
[6.4]  
RECOMMENDED

\*AVAILABLE IN A VARIETY OF MATERIALS AND STIFFNESS



TITLE: 5311		
THE INFORMATION CONTAINED IN THIS DRAWING IS THE SOLE PROPERTY OF EBCO. ANY REPRODUCTION IN PART OR AS A WHOLE WITHOUT THE WRITTEN PERMISSION OF EBCO IS PROHIBITED.		
TOLERANCES PER RMA STANDARD A3	REV. A	DATE: 07-27-20
		UNITS: INCH [MM]
1330 HOLMES RD. ELGIN, IL 60123		

SPECIFICATIONS SUBJECT TO CHANGE