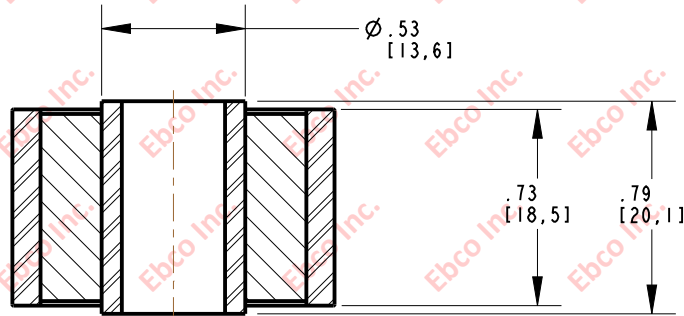
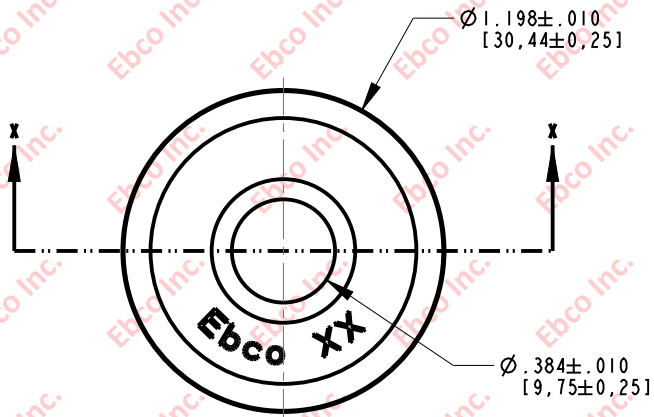
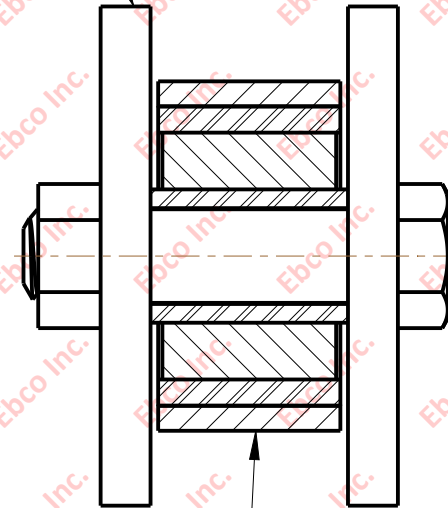


5130



SECTION X-X

SUPPORTING MEMBER



SUPPORTED MEMBER



TITLE: 5130		
THE INFORMATION CONTAINED IN THIS DRAWING IS THE SOLE PROPERTY OF EBCO. ANY REPRODUCTION IN PART OR AS A WHOLE WITHOUT THE WRITTEN PERMISSION OF EBCO IS PROHIBITED.		
TOLERANCES PER RMA STANDARD A3	REV. A	DATE: 11-07-17
		UNITS: INCH [MM]
1330 HOLMES RD. ELGIN, IL 60123		

SPECIFICATIONS SUBJECT TO CHANGE

• AVAILABLE IN A VARIETY OF MATERIALS AND STIFFNESS