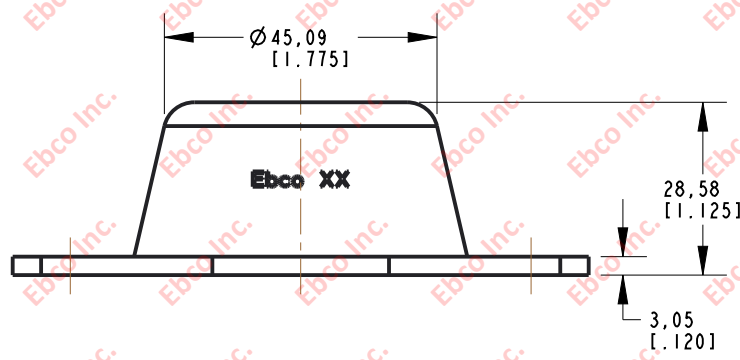
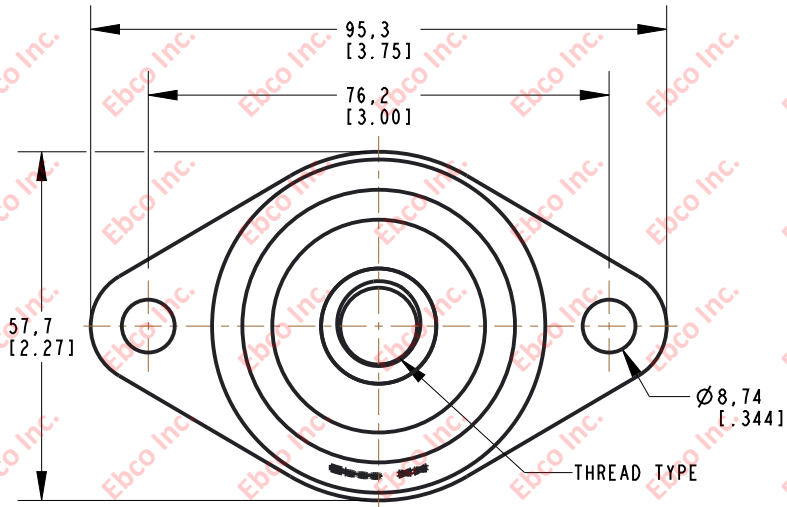
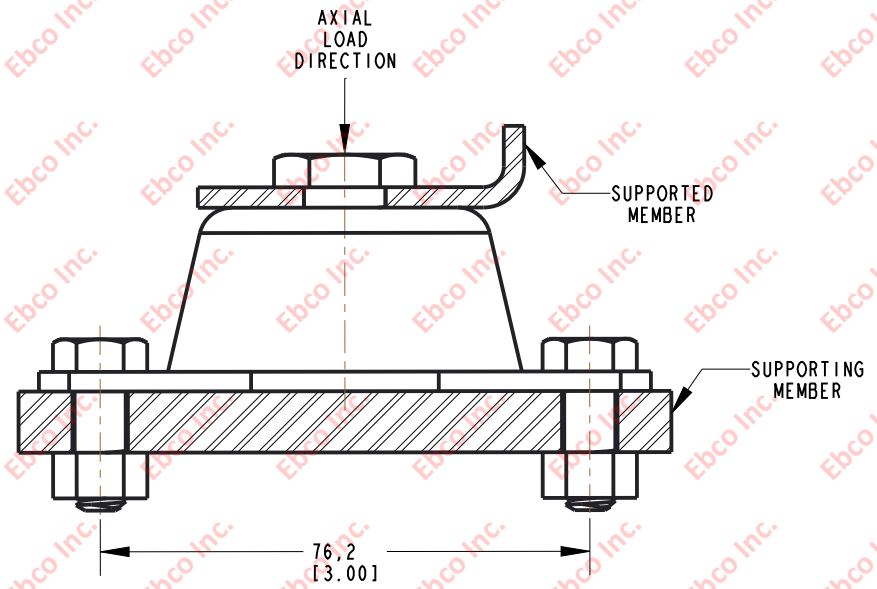


4690

DRG. NO.



INSTALLATION VIEW (Shown under no load)



SPECIFICATIONS

PART NUMBER		MAX. AXIAL DEFLECTION		MAX. AXIAL LOAD	
NATURAL RUBBER	NEOPRENE	in	mm	lb	N
4690-700-X	4690-800-X	0.1	2.54	200	890
4690-71-X	4690-81-X			300	1335
4690-73-X	4690-83-X			450	2002
4690-75-X	4690-85-X			650	2891
4690-77-X	4690-87-X			925	4116
4690-79-X	4690-89-X			1200	5338

HARDWARE SPECIFICATIONS

X	THREAD TYPE
	3/8-16 UNC-2B
J	1/2-13 UNC-2B



TITLE: 4690	
THE INFORMATION CONTAINED IN THIS DRAWING IS THE SOLE PROPERTY OF EBCO ANY REPRODUCTION IN PART OR AS A WHOLE WITHOUT THE WRITTEN PERMISSION OF EBCO IS PROHIBITED.	
TOLERANCES PER RMA STANDARD A3	REV. D
DATE: 06-07-21	UNITS: mm [INCH]
1330 HOLMES RD. ELGIN, IL 60123	
SPECIFICATIONS SUBJECT TO CHANGE	