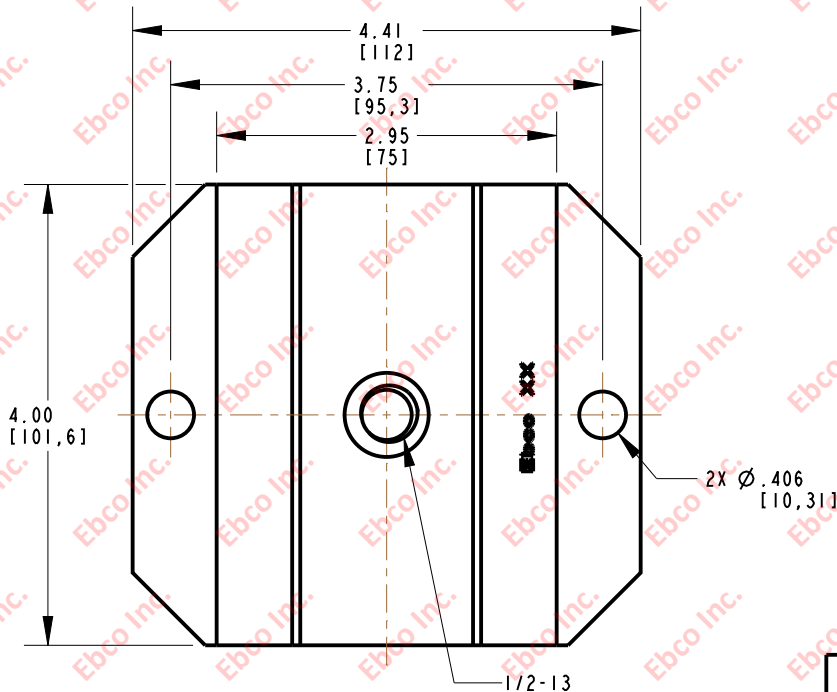
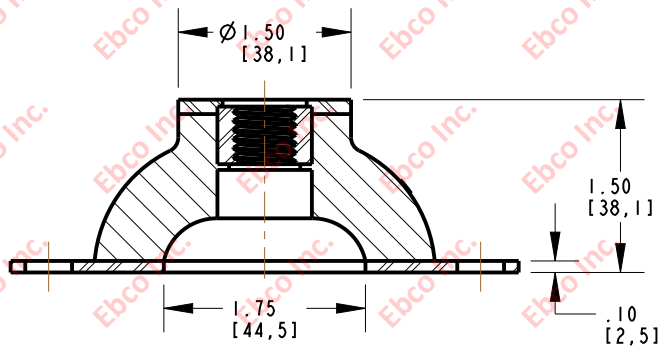
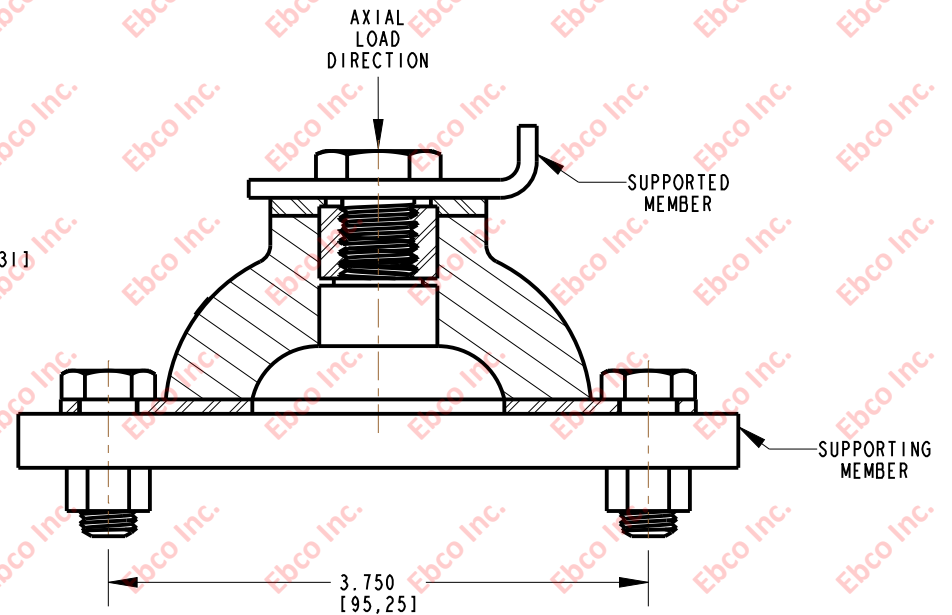


4650



INSTALLATION VIEW (Shown under no load)



SPECIFICATIONS

| PART NUMBER | | MAX. AXIAL DEFLECTION | | MAX. AXIAL LOAD | |
|----------------|----------|-----------------------|------|-----------------|------|
| NATURAL RUBBER | NEOPRENE | in | mm | lb | N |
| 4650-71 | 4650-81 | 0.25 | 6.35 | 170 | 756 |
| 4650-72 | 4650-82 | | | 220 | 979 |
| 4650-73 | 4650-83 | | | 300 | 1334 |
| 4650-75 | 4650-85 | | | 430 | 1913 |
| 4650-76 | 4650-86 | | | 525 | 2336 |
| 4650-77 | 4650-87 | | | 600 | 2669 |



| | | |
|---|--------|------------------------------------|
| TITLE: 4650 | | |
| THE INFORMATION CONTAINED IN THIS DRAWING IS THE SOLE PROPERTY OF EBCO ANY REPRODUCTION IN PART OR AS A WHOLE WITHOUT THE WRITTEN PERMISSION OF EBCO IS PROHIBITED. | | |
| TOLERANCES PER RMA STANDARD A3 | REV. B | DATE: 08-23-13 UNITS: INCH [MM] |

1330 HOLMES RD. ELGIN, IL 60123

SPECIFICATIONS SUBJECT TO CHANGE