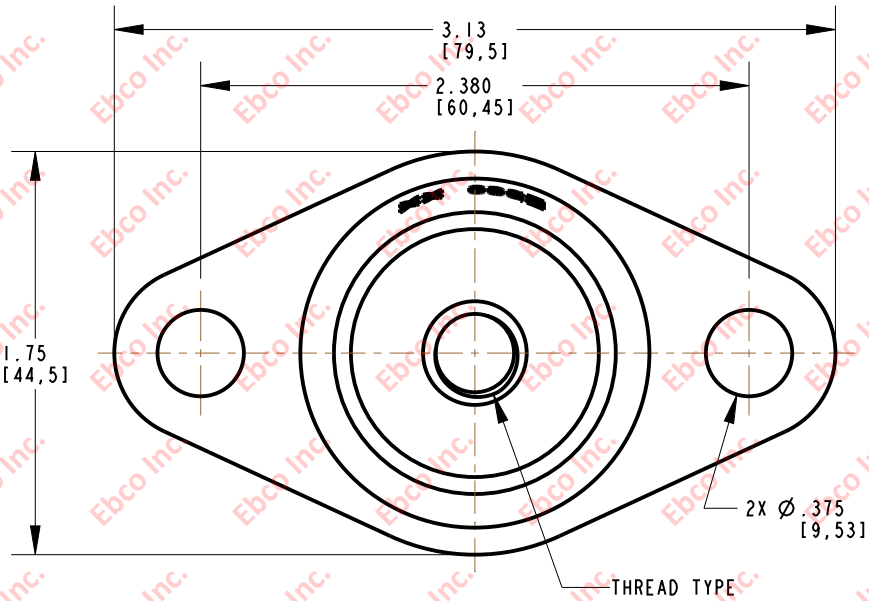


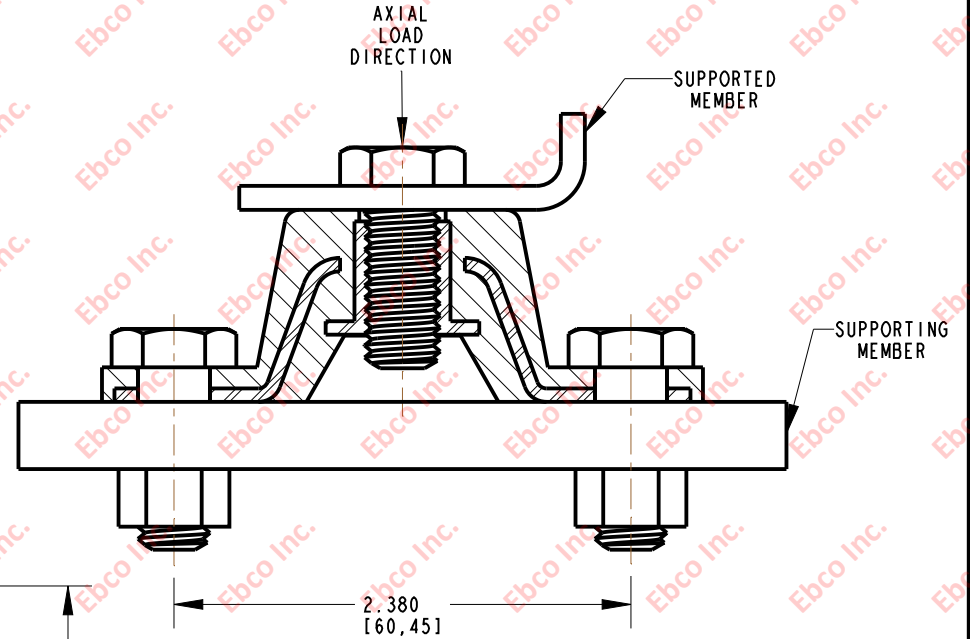
4635

IMP. NO.

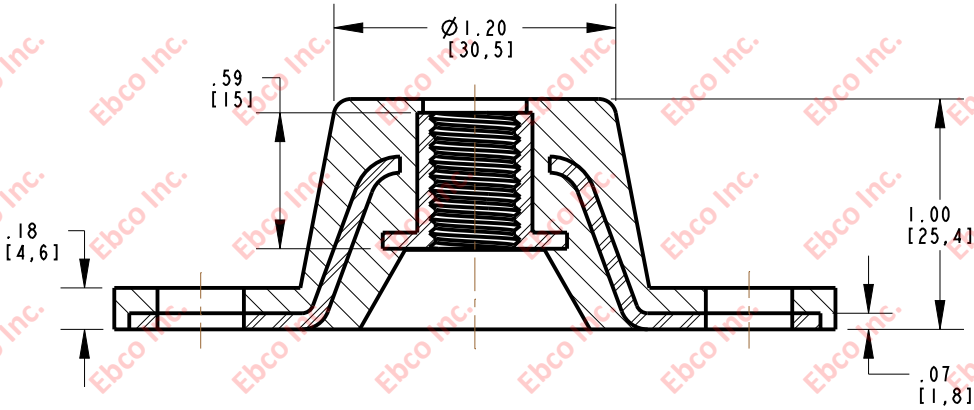
B



INSTALLATION VIEW (Shown under no load)



A



SPECIFICATIONS AND INSTALLATION DIMENSIONS

| PART NUMBER    |           | MAX. AXIAL DEFLECTION |      | MAX. AXIAL LOAD |     | THREAD TYPE           |
|----------------|-----------|-----------------------|------|-----------------|-----|-----------------------|
| NATURAL RUBBER | NEOPRENE  | in                    | mm   | lb              | N   |                       |
| 4635-70        | 4635-80   | 0.1                   | 2.54 | 140             | 623 | 5/16                  |
| 4635-70-S      | 4635-80-S |                       |      |                 |     | .375 [9,5], NO THREAD |
| 4635-71        | 4635-81   |                       |      | 170             | 756 | 5/16                  |
| 4635-71-S      | 4635-81-S |                       |      |                 |     | .375 [9,5], NO THREAD |
| 4635-73        | 4635-83   |                       |      | 220             | 979 | 5/16                  |
| 4635-73-S      | 4635-83-S |                       |      |                 |     | .375 [9,5], NO THREAD |



|  |        |                                    |
|--|--------|------------------------------------|
| TITLE: 4635  |        |                                    |
| THE INFORMATION CONTAINED IN THIS DRAWING IS THE SOLE PROPERTY OF EBCO. ANY REPRODUCTION IN PART OR AS A WHOLE WITHOUT THE WRITTEN PERMISSION OF EBCO IS PROHIBITED. |        |                                    |
| TOLERANCES PER RMA STANDARD A3   | REV. B | DATE: 08-23-13<br>UNITS: INCH [MM] |
| 1330 HOLMES RD. ELGIN, IL 60123  |        |                                    |
| SPECIFICATIONS SUBJECT TO CHANGE   |        |                                    |