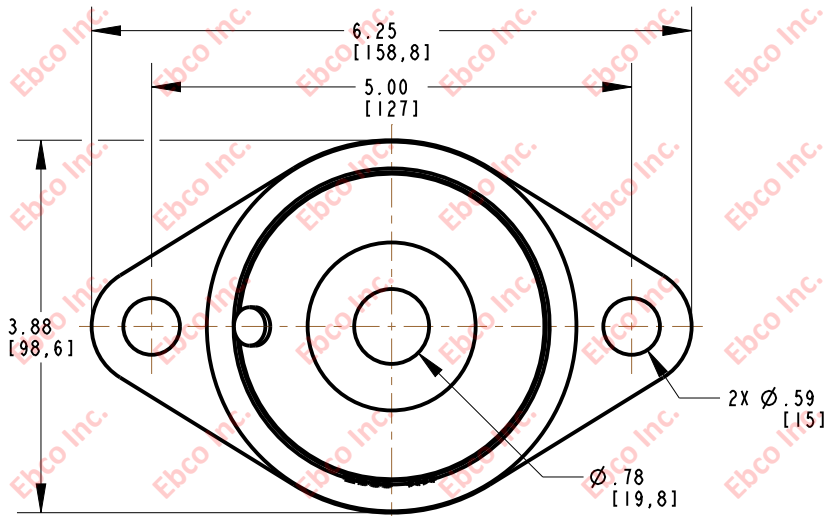
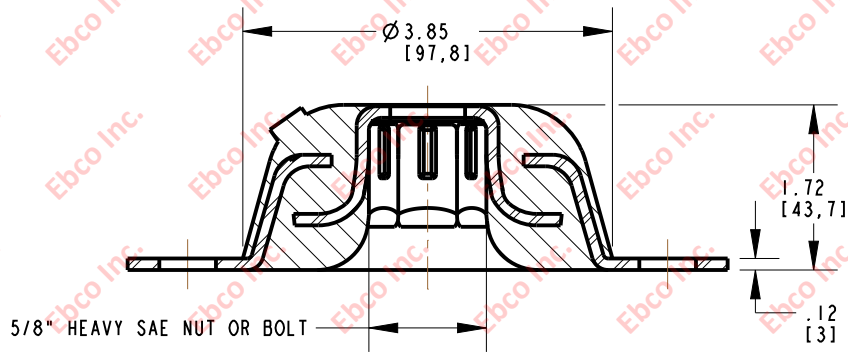
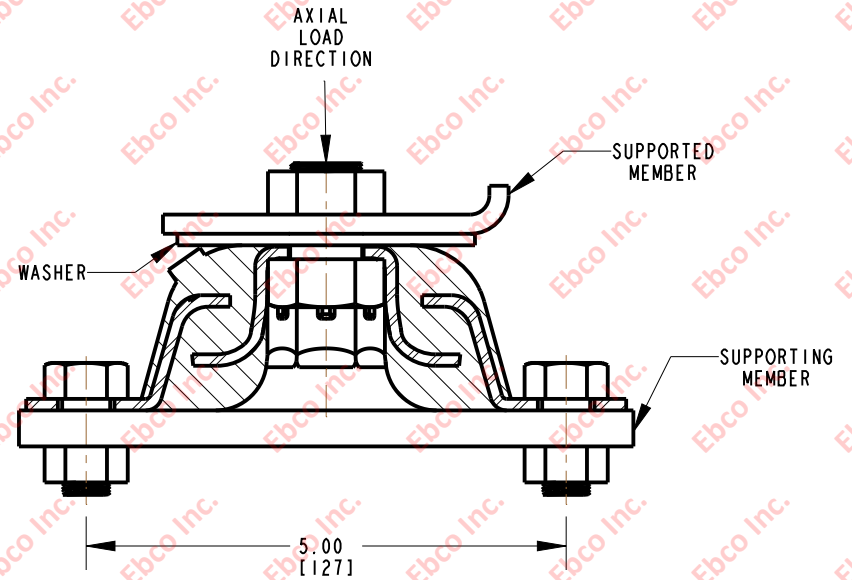


4620



INSTALLATION VIEW (Shown under no load)



SPECIFICATIONS

PART NUMBER		MAX. AXIAL DEFLECTION		MAX. AXIAL LOAD	
NATURAL RUBBER	NEOPRENE	i n	m m	l b	N
4620-70	4620-80	0.125	3.175	800	3559
4620-71	4620-81			1050	4671
4620-73	4620-83			1600	7117
4620-75	4620-85			2600	11570
4620-76	4620-86			2800	12455



TITLE: 4620  
 THE INFORMATION CONTAINED IN THIS DRAWING IS THE SOLE PROPERTY OF EBCO. ANY REPRODUCTION IN PART OR AS A WHOLE WITHOUT THE WRITTEN PERMISSION OF EBCO IS PROHIBITED.  
 TOLERANCES PER RMA STANDARD A3  
 REV. D  
 DATE: 06-17-15  
 UNITS INCH [MM]  
 1330 HOLMES RD. ELGIN, IL 60123

SPECIFICATIONS SUBJECT TO CHANGE