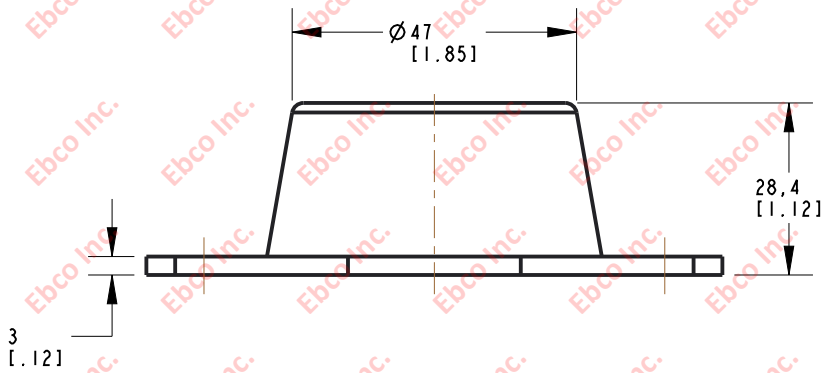
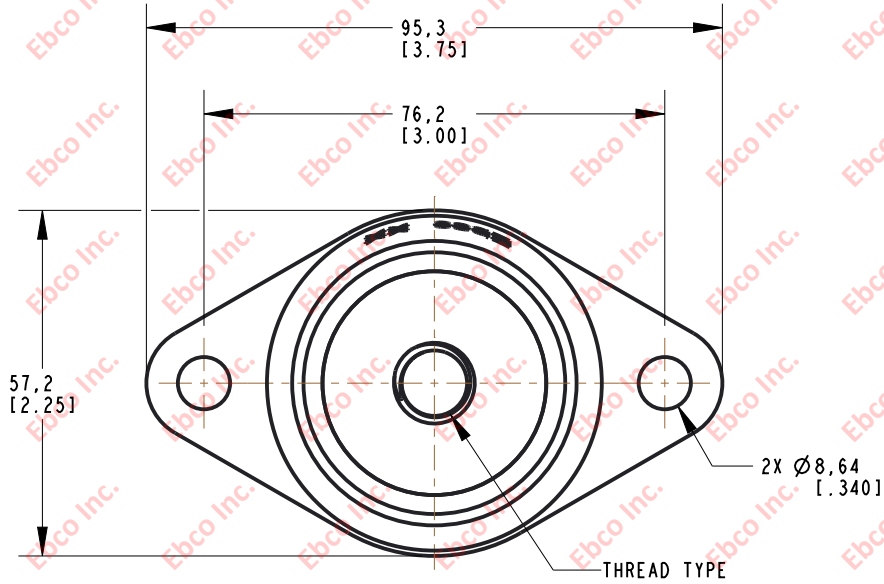
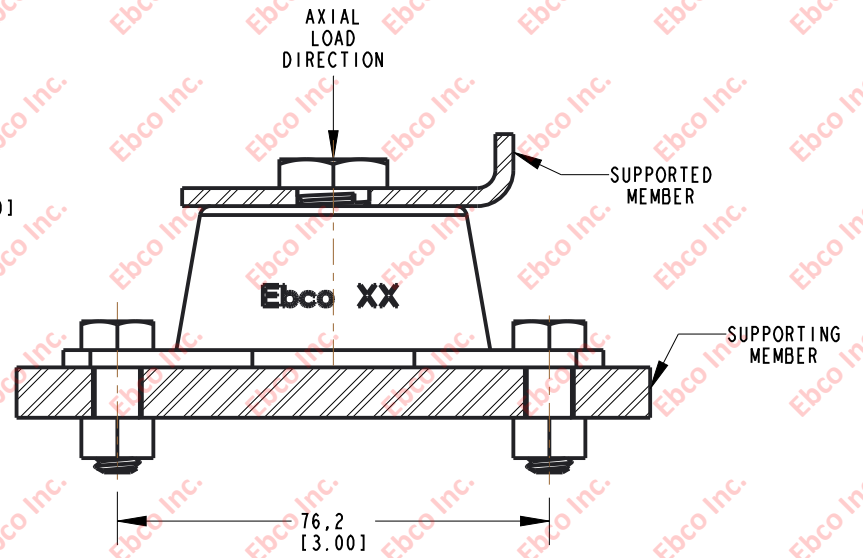


4600

DWG. NO.



INSTALLATION VIEW (Shown under no load)



SPECIFICATIONS

PART NUMBER		MAX. AXIAL DEFLECTION		MAX. AXIAL LOAD	
NATURAL RUBBER	NEOPRENE	in	mm	lb	N
4600-700-X	4600-800-X	0.12	3.05	75	334
4600-71-X	4600-81-X			140	623
4600-73-X	4600-83-X			200	890
4600-75-X	4600-85-X			260	1157
4600-77-X	4600-87-X			360	1601

HARDWARE SPECIFICATIONS

X	THREAD TYPE
1	3/8-16
2	1/2-20
3	1/2-13



TITLE:	4600
THE INFORMATION CONTAINED IN THIS DRAWING IS THE SOLE PROPERTY OF EBCO ANY REPRODUCTION IN PART OR AS A WHOLE WITHOUT THE WRITTEN PERMISSION OF EBCO IS PROHIBITED.	
TOLERANCES PER RMA STANDARD	REV. E
A3	DATE: 06-07-21
	UNITS: mm [INCH]

1330 HOLMES RD. ELGIN, IL 60123

SPECIFICATIONS SUBJECT TO CHANGE