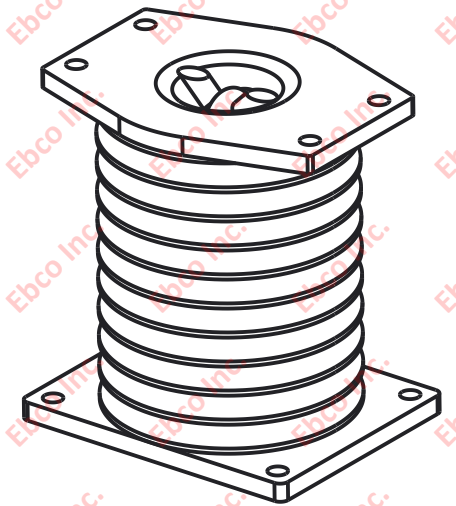
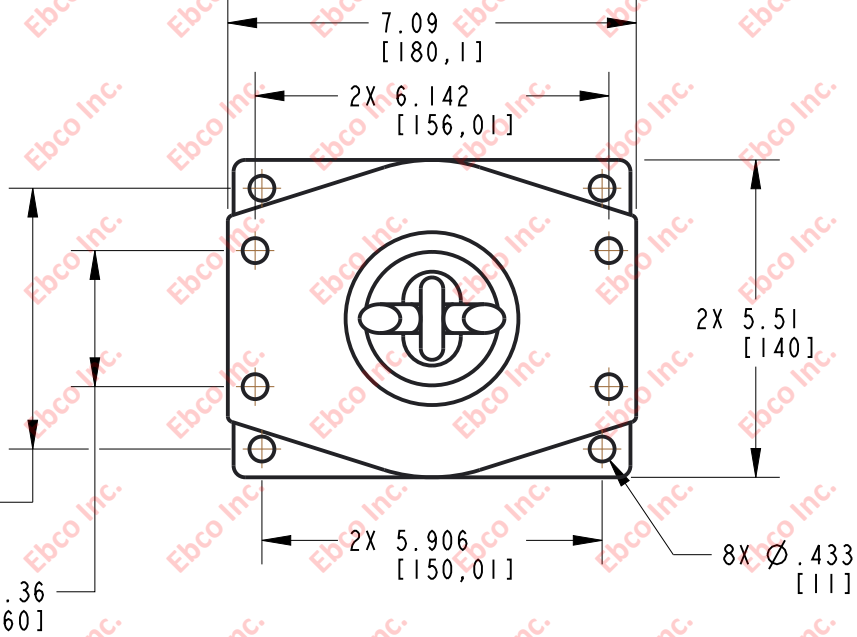


4490

DWG NO.

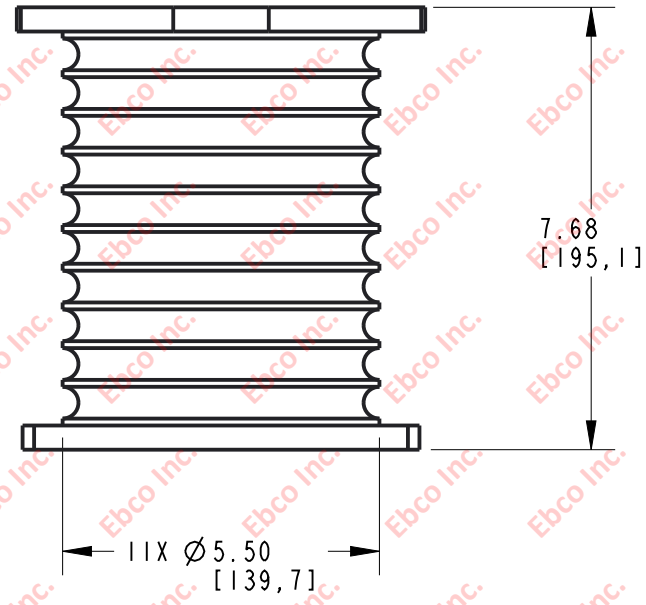
B

A



B

A



PART NUMBER	
NATURAL RUBBER	NEOPRENE
4490-77	4490-87



TITLE: 4490		
THE INFORMATION CONTAINED IN THIS DRAWING IS THE SOLE PROPERTY OF EBSCO ANY REPRODUCTION IN PART OR AS A WHOLE WITHOUT THE WRITTEN PERMISSION OF EBSCO IS PROHIBITED.		
TOLERANCES PER RMA STANDARD A3	REV. A	DATE: 05-15-20
		UNITS: INCH [MM]
1330 HOLMES RD. ELGIN, IL 60123		
SPECIFICATIONS SUBJECT TO CHANGE		

2