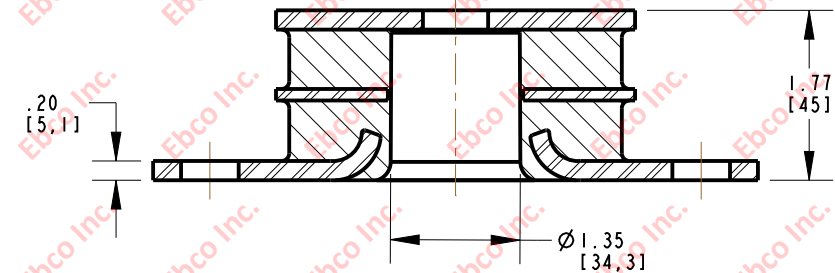
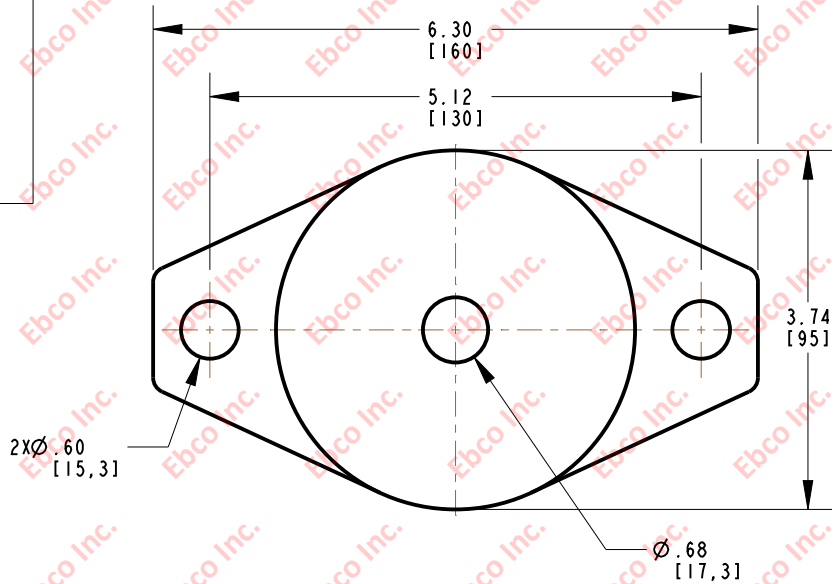


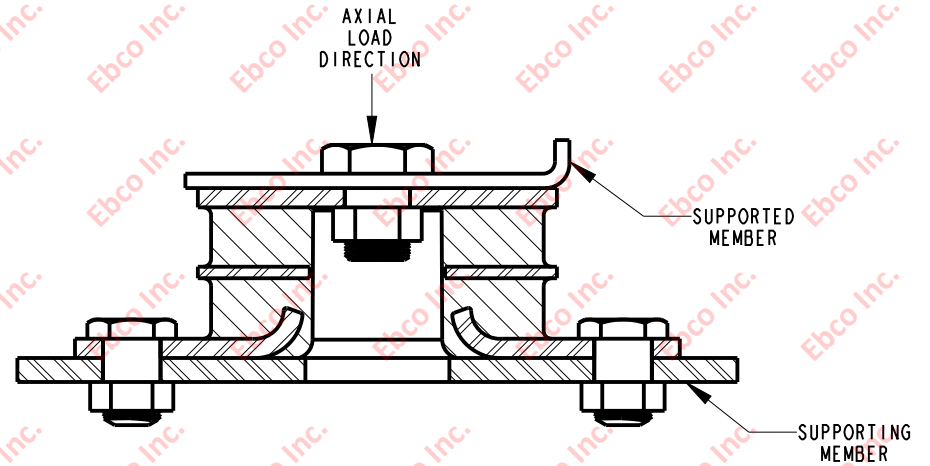
4450

IMP. NO.

B



INSTALLATION VIEW (Shown under no load)



SPECIFICATIONS

PART NUMBER		MAX. AXIAL DEFLECTION		MAX. AXIAL LOAD	
NATURAL RUBBER	NEOPRENE	i n	mm	l b	N
4450-74	4450-84	0.10	2.54	850	3648
4450-75	4450-85			1100	4671
4450-76	4450-86			1300	5783

INSTALLATION DIMENSIONS

RECOMMENDED BOLT INFORMATION				TIGHTENING TORQUE			
ENGLISH		METRIC		CLAMP LOAD		TIGHTENING TORQUE	
SIZE	GRADE	SIZE	CLASS	l b	N	ft-lb	N-m
5/8	5	M16	9.8	14400	64054	150	203



TITLE: 4450		
THE INFORMATION CONTAINED IN THIS DRAWING IS THE SOLE PROPERTY OF EBCO. ANY REPRODUCTION IN PART OR AS A WHOLE WITHOUT THE WRITTEN PERMISSION OF EBCO IS PROHIBITED.		
TOLERANCES PER RMA STANDARD A3	REV. B	DATE: 08-22-13
		UNITS INCH [MM]
1330 HOLMES RD. ELGIN, IL 60123		

SPECIFICATIONS SUBJECT TO CHANGE

B

A