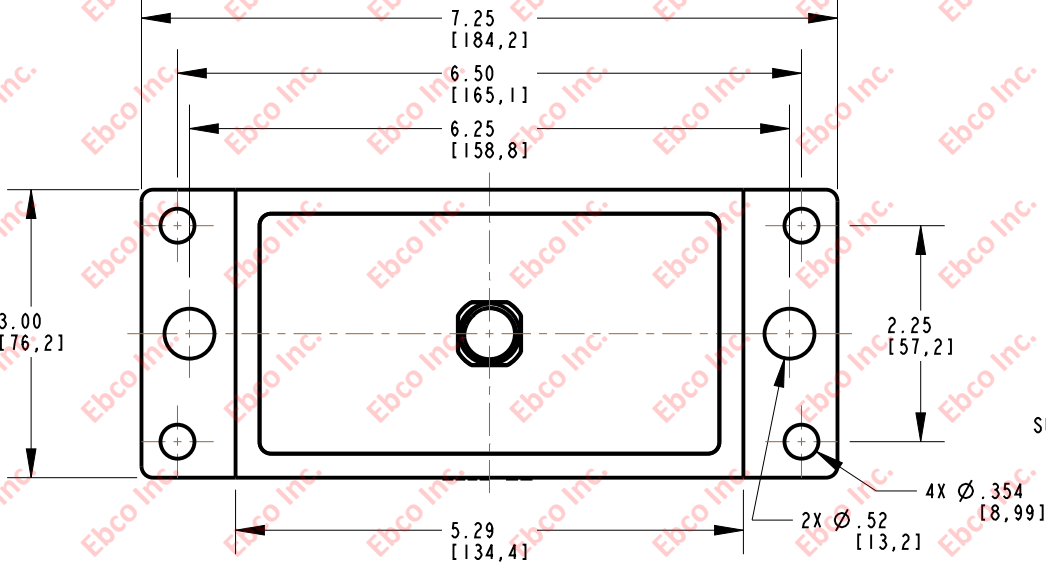
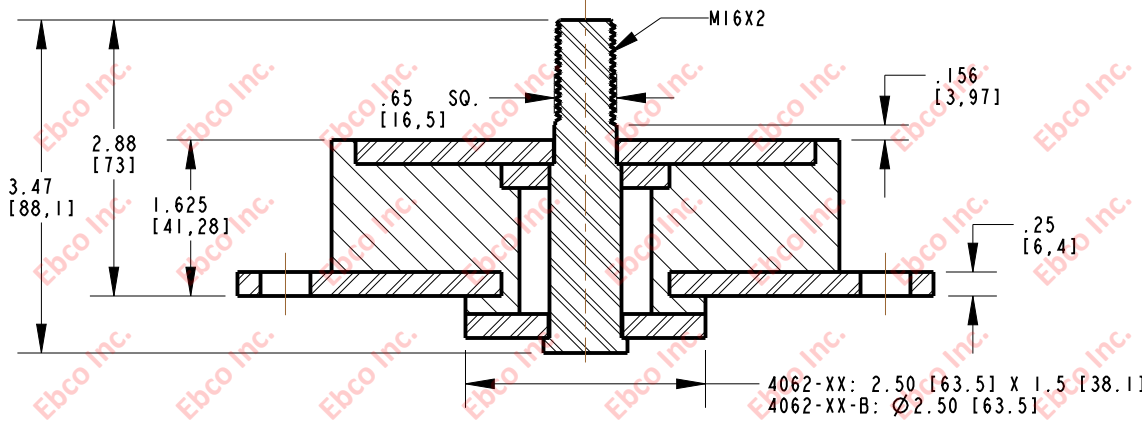
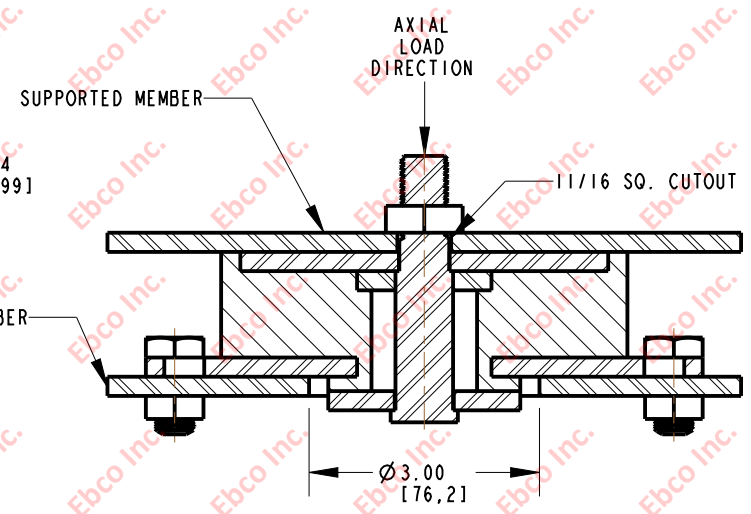


4062

IMP. NO.



INSTALLATION VIEW (Shown under no load)



SPECIFICATIONS

PART NUMBER		MAX. AXIAL DEFLECTION		MAX. AXIAL LOAD	
NATURAL RUBBER	NEOPRENE	in	mm	lbs	N
4062-70	4062-80	0.15	3.81	605	2691
4062-71	4062-81			750	3336
4062-72	4062-82			920	4092
4062-73	4062-83			1100	4893
4062-74	4062-84			1310	5827
4062-75	4062-85			1735	7718
4062-76	4062-86			2145	9541



TITLE: 4062

THE INFORMATION CONTAINED IN THIS DRAWING IS THE SOLE PROPERTY OF EBCO ANY REPRODUCTION IN PART OR AS A WHOLE WITHOUT THE WRITTEN PERMISSION OF EBCO IS PROHIBITED.

TOLERANCES PER RMA STANDARD A3

REV. F

DATE: 08-24-15

UNITS: INCH [MM]

1330 HOLMES RD. ELGIN, IL 60123

SPECIFICATIONS SUBJECT TO CHANGE