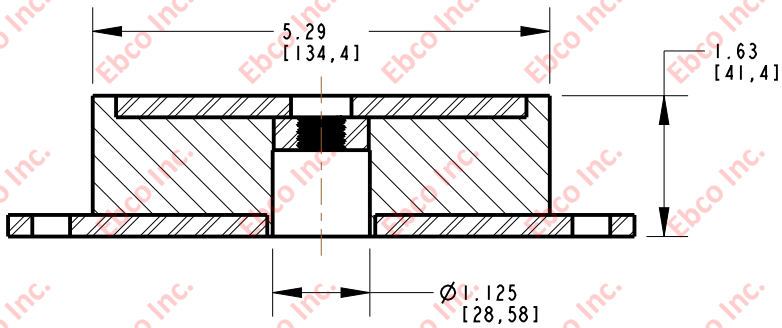
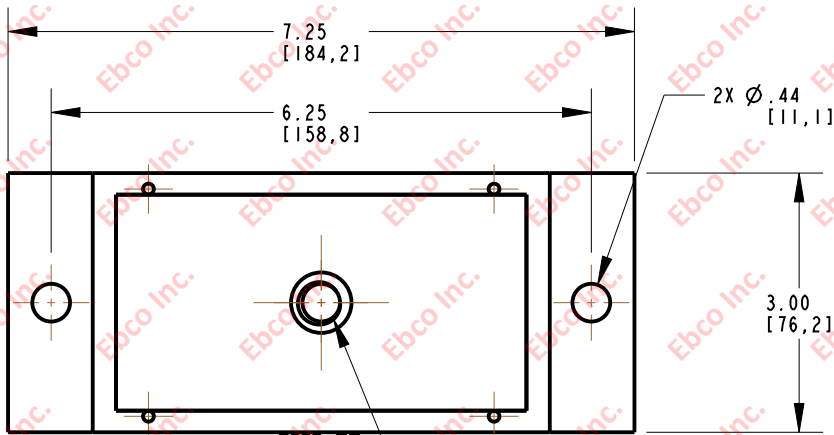
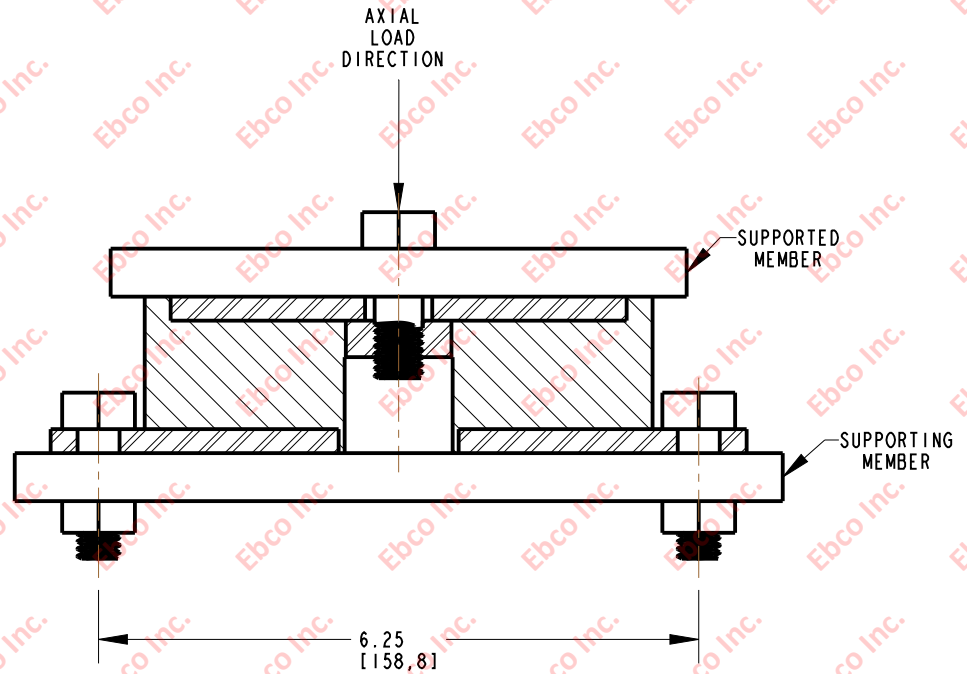


4050

IMP. NO.



INSTALLATION VIEW (Shown under no load)



SPECIFICATIONS

PART NUMBER		MAX. AXIAL DEFLECTION		MAX. AXIAL LOAD	
NATURAL RUBBER	NEOPRENE	in	mm	lbs	N
4050-70-X	4050-80-X	0.2	5.08	1000	4448
4050-71-X	4050-81-X			1200	5334
4050-74-X	4050-84-X			2200	9790
4050-75-X	4050-85-X			2600	11565
4050-76-X	4050-86-X			3300	14685
4050-77-X	4050-87-X			4000	17800
4050-78-X	4050-88-X			5700	25365
4050-79-X	4050-89-X			7400	23930
4050-710-X	4050-810-X			9200	46000

THREAD SPECIFICATIONS

PART NUMBER	THREAD TYPE
4050-XX-R	M12X1.75-6H
4050-XX-J	1/2-13 UNC-2B
4050-XX-U	M16X2-6H



TITLE:	4050		
THE INFORMATION CONTAINED IN THIS DRAWING IS THE SOLE PROPERTY OF EBCO ANY REPRODUCTION IN PART OR AS A WHOLE WITHOUT THE WRITTEN PERMISSION OF EBCO IS PROHIBITED.			
TOLERANCES PER RMA STANDARD A3	REV. C	DATE: 05-08-14	UNITS: [INCH] [MM]
1330 HOLMES RD. ELGIN, IL 60123			

SPECIFICATIONS SUBJECT TO CHANGE