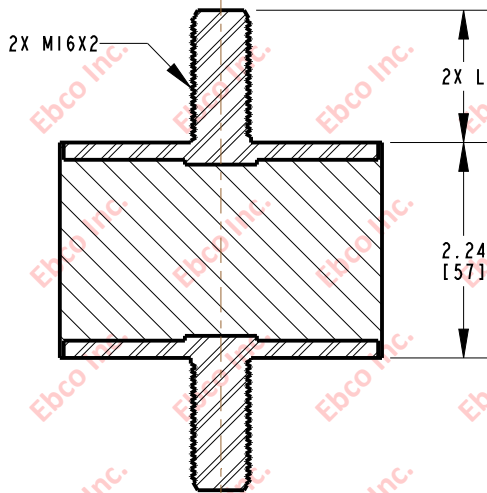
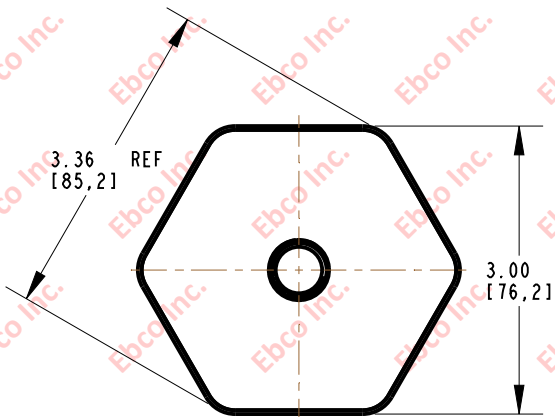


3550



**SPECIFICATIONS**

PART NUMBER		MAX. AXIAL DEFLECTION		MAX. AXIAL LOAD	
NATURAL RUBBER	NEOPRENE	in	mm	lb	N
3550-150	3550-050	0.20	5.08	370	1646
3550-155	3550-055			500	2224
3550-160	3550-060			580	2580
3550-165	3550-065			850	3781
3550-170	3550-070			1090	4849
3550-175	3550-075			1140	5071
3550-180	3550-080			1800	8007
3550-185	3550-085			2500	11121

PART NUMBER	L	
	in	mm
3550-XXX	2.13	54
3550-XXX-TS	1.38	35



TITLE: 3550	
THE INFORMATION CONTAINED IN THIS DRAWING IS THE SOLE PROPERTY OF EBCO. ANY REPRODUCTION IN PART OR AS A WHOLE WITHOUT THE WRITTEN PERMISSION OF EBCO IS PROHIBITED.	
TOLERANCES PER RMA STANDARD A3	REV. B
DATE: 01-05-18	UNITS: INCH [MM]
1330 HOLMES RD. ELGIN, IL 60123	

SPECIFICATIONS SUBJECT TO CHANGE