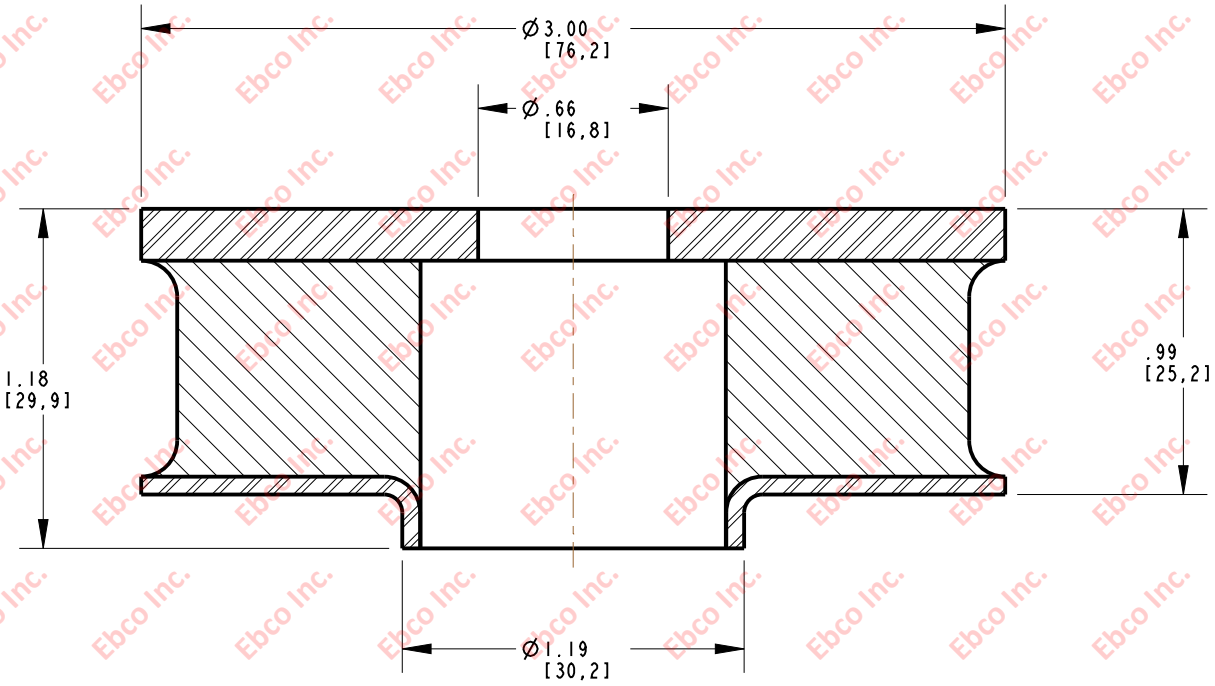


2740

DRG. NO.



SPECIFICATIONS

PART NUMBER		MAX. AXIAL DEFLECTION		MAX. AXIAL LOAD	
NATURAL RUBBER	NEOPRENE	i n	mm	l b	N
2740-70	2740-80	.11	2.79	325	1446



TITLE: 2740		
THE INFORMATION CONTAINED IN THIS DRAWING IS THE SOLE PROPERTY OF EBSCO. ANY REPRODUCTION IN PART OR AS A WHOLE WITHOUT THE WRITTEN PERMISSION OF EBSCO IS PROHIBITED.		
TOLERANCES PER RMA STANDARD A3	REV. B	DATE: 08-13-13
1330 HOLMES RD. ELGIN, IL 60123		UNITS: INCH [MM]

SPECIFICATIONS SUBJECT TO CHANGE