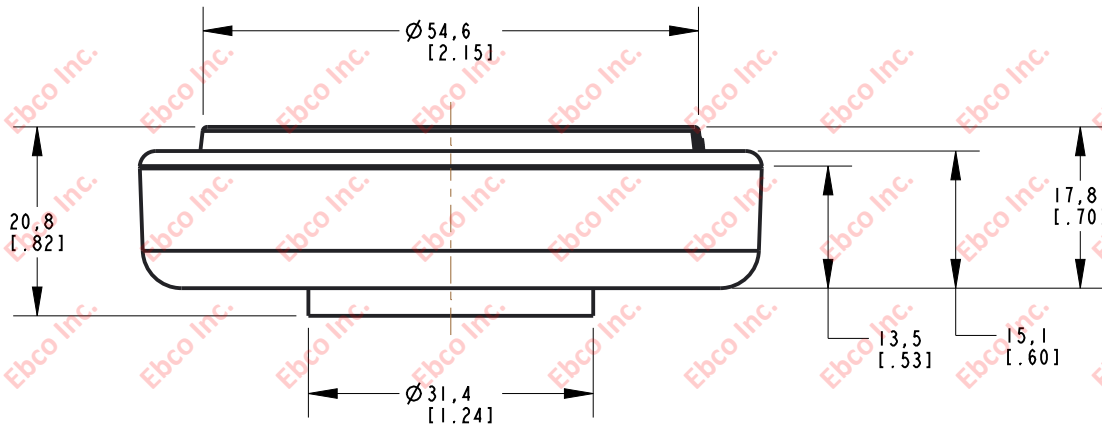
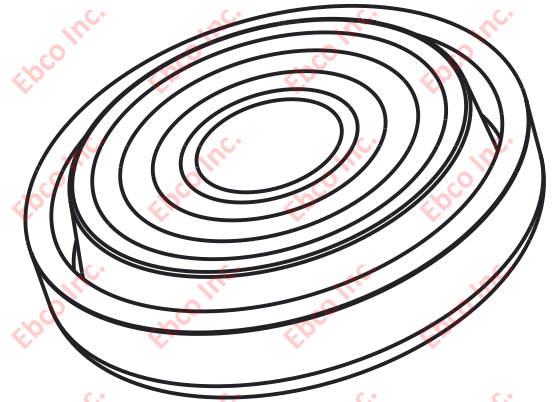
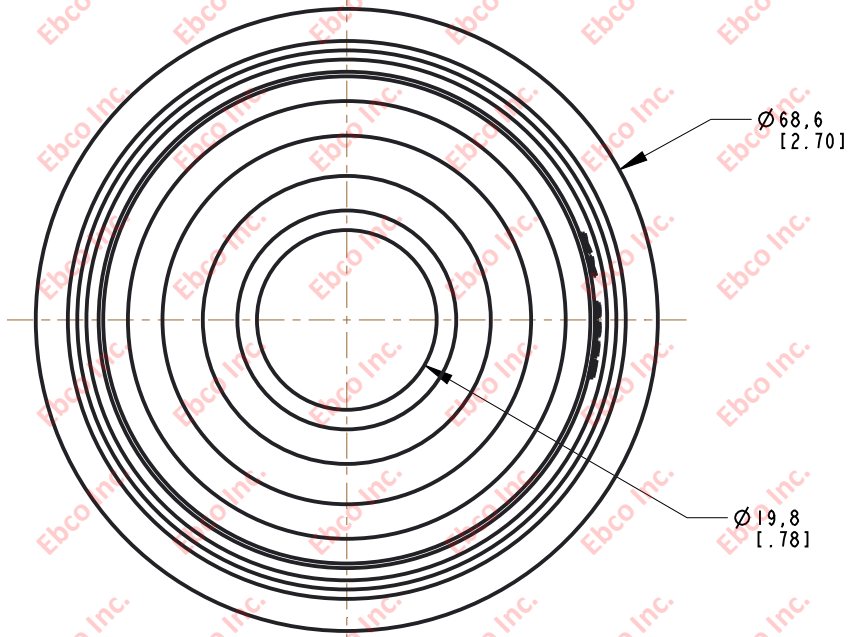


2725

DWG. NO.



SPECIFICATIONS

PART NUMBER			MAX. AXIAL DEFLECTION		MAX. AXIAL LOAD	
NATURAL RUBBER	NEOPRENE	EPDM	in	mm	lb	N
2725-74	2725-84	2725-64	.10	2.54	465	2068
2725-75	2725-85	2725-65			575	2558
2725-76	2725-86	2725-66			700	3114
2725-77	2725-87	2725-67			850	3781



TITLE:	2725
THE INFORMATION CONTAINED IN THIS DRAWING IS THE SOLE PROPERTY OF EBCO ANY REPRODUCTION IN PART OR AS A WHOLE WITHOUT THE WRITTEN PERMISSION OF EBCO IS PROHIBITED.	
TOLERANCES PER RMA STANDARD	REV. C
A3	DATE: 06-09-21
	UNITS: mm [INCH]

1330 HOLMES RD. ELGIN, IL 60123

SPECIFICATIONS SUBJECT TO CHANGE