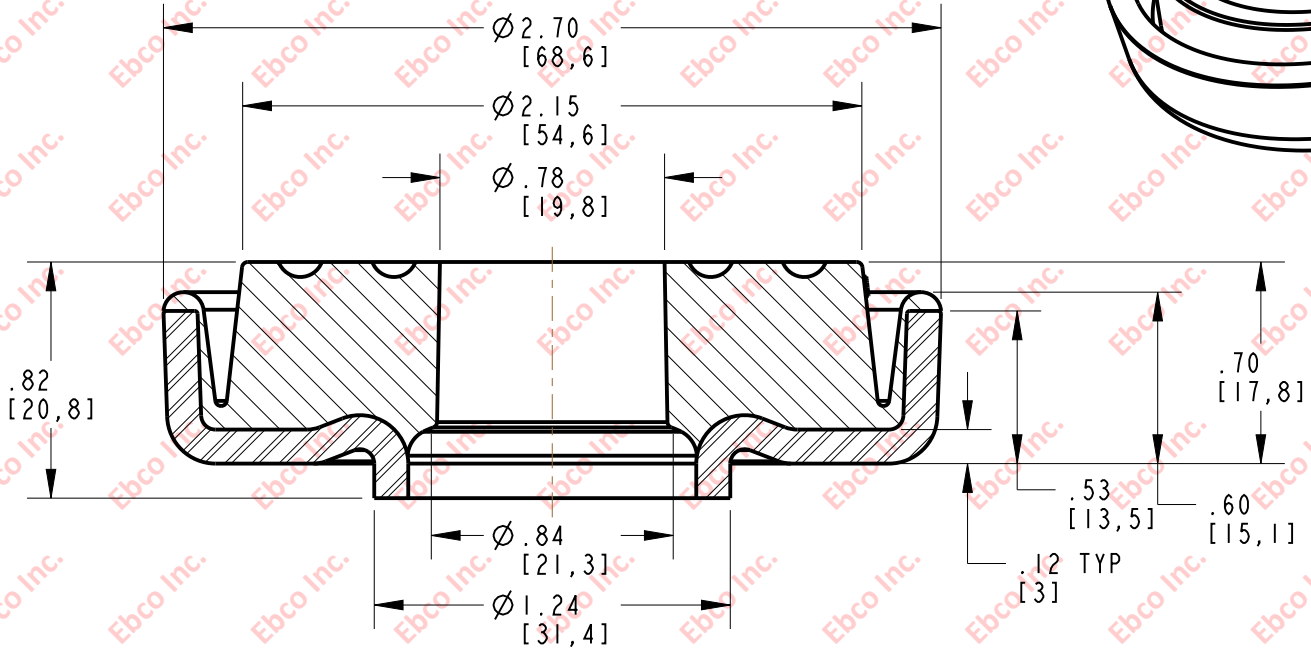


2725

DRG. NO.

B

A



SPECIFICATIONS

PART NUMBER			MAX. AXIAL DEFLECTION		MAX. AXIAL LOAD	
NATURAL RUBBER	NEOPRENE	EPDM	in	mm	lb	N
2725-74	2725-84	2725-64	.10	2.54	465	2068
2725-75	2725-85	2725-65			575	2558
2725-76	2725-86	2725-66			700	3114
2725-77	2725-87	2725-67			850	3781



TITLE: 2725  
 THE INFORMATION CONTAINED IN THIS DRAWING IS THE SOLE PROPERTY OF EBCO. ANY REPRODUCTION IN PART OR AS A WHOLE WITHOUT THE WRITTEN PERMISSION OF EBCO IS PROHIBITED.  
 TOLERANCES PER RMA STANDARD A3  
 REV. B  
 DATE: 03-23-17  
 UNITS: INCH [MM]  
 1330 HOLMES RD. ELGIN, IL 60123

SPECIFICATIONS SUBJECT TO CHANGE