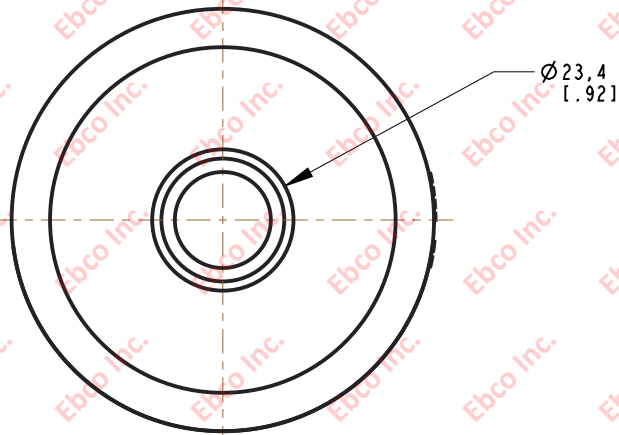
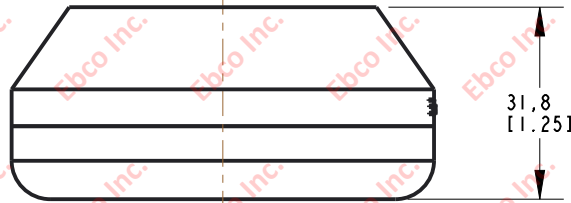
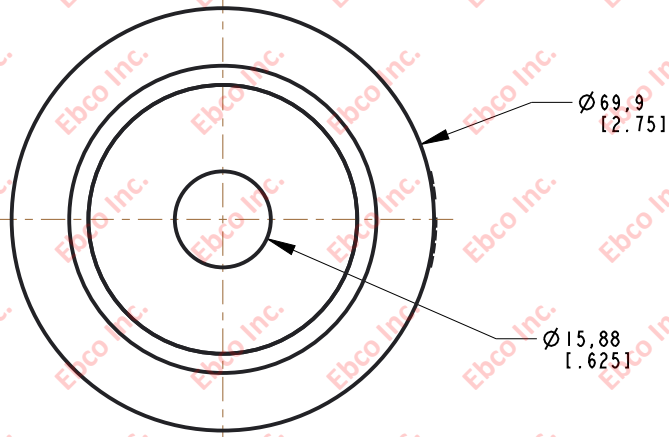



2720

DWG. NO.



**SPECIFICATIONS**

PART NUMBER		MAX. AXIAL DEFLECTION		MAX. AXIAL LOAD	
NATURAL RUBBER	NEOPRENE	in	mm	lb	N
2720-75	2720-85	.12	3.05	550	2447
2720-79	2720-89			1400	6228

	TITLE:	2720	
	<small>THE INFORMATION CONTAINED IN THIS DRAWING IS THE SOLE PROPERTY OF EBCO ANY REPRODUCTION IN PART OR AS A WHOLE WITHOUT THE WRITTEN PERMISSION OF EBCO IS PROHIBITED.</small>		
	TOLERANCES PER RMA STANDARD	REV. C	DATE: 06-10-21
	A3		UNITS: mm [INCH]
1330 HOLMES RD. ELGIN, IL 60123			
SPECIFICATIONS SUBJECT TO CHANGE			