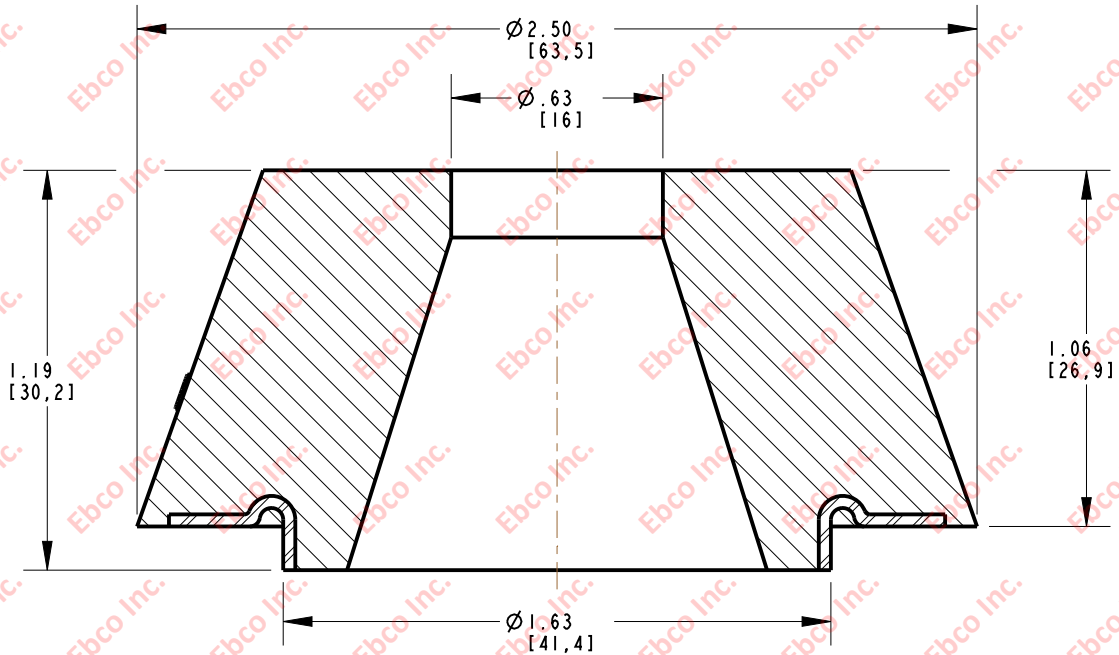


2700



SPECIFICATIONS

| PART NUMBER    |          | MAX. AXIAL DEFLECTION |      | MAX. AXIAL LOAD |      |
|----------------|----------|-----------------------|------|-----------------|------|
| NATURAL RUBBER | NEOPRENE | i n                   | mm   | l b             | N    |
| 2700-78        | 2700-88  | .15                   | 3.81 | 625             | 2780 |



|  |        |                  |
|--|--------|------------------|
| TITLE: 2700  |        |                  |
| THE INFORMATION CONTAINED IN THIS DRAWING IS THE SOLE PROPERTY OF EBCO. ANY REPRODUCTION IN PART OR AS A WHOLE WITHOUT THE WRITTEN PERMISSION OF EBCO IS PROHIBITED. |        |                  |
| TOLERANCES PER RMA STANDARD A3   | REV. B | DATE: 08-13-13   |
|  |        | UNITS: INCH [MM] |
| 1330 HOLMES RD. ELGIN, IL 60123  |        |                  |

SPECIFICATIONS SUBJECT TO CHANGE