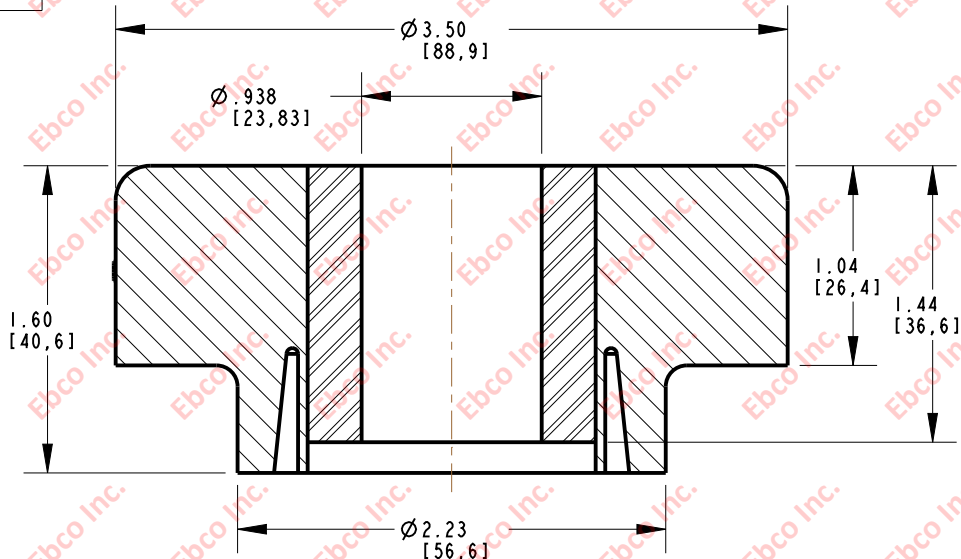
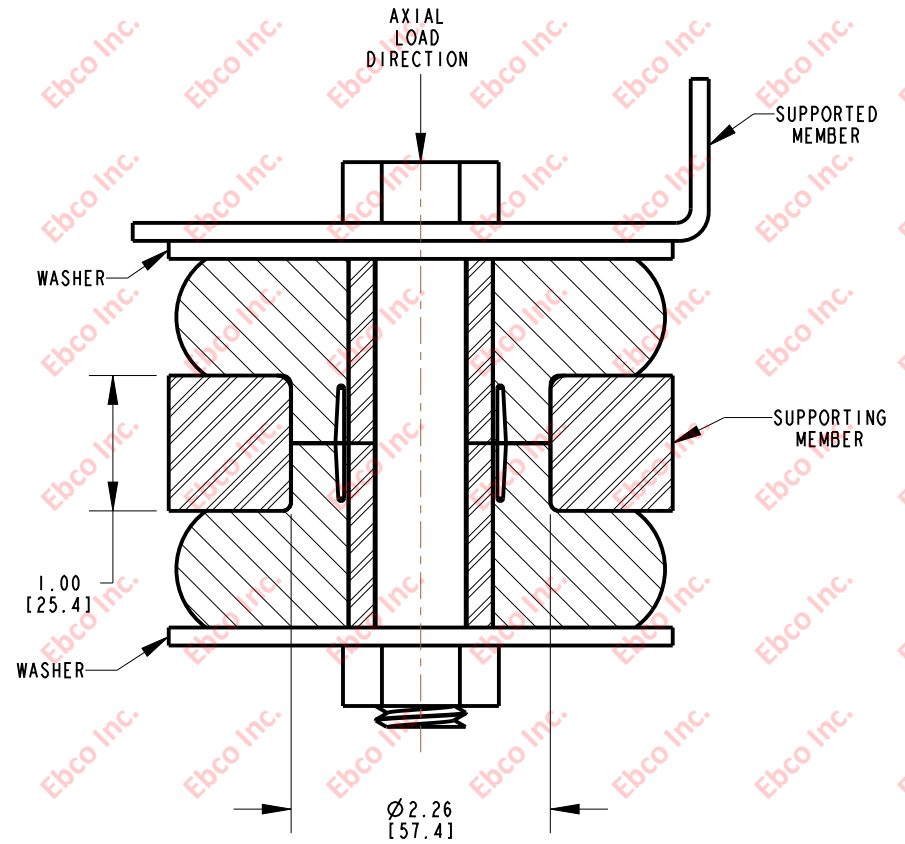


2680

IMP. NO.



INSTALLATION VIEW (Shown under no load)



INSTALLATION DIMENSIONS

| RECOMMENDED BOLT INFORMATION |       |        |       | TIGHTENING TORQUE |        |                   |     |
|------------------------------|-------|--------|-------|-------------------|--------|-------------------|-----|
| ENGLISH                      |       | METRIC |       | CLAMP LOAD        |        | TIGHTENING TORQUE |     |
| SIZE                         | GRADE | SIZE   | CLASS | lb                | N      | ft-lb             | N-m |
| 7/8                          | 5     | M20    | 9.8   | 29453             | 131013 | 430               | 580 |
| WASHER SPECIFICATIONS        |       |        |       |                   |        |                   |     |
| O. D.                        |       | I. D.  |       | THICKNESS         |        |                   |     |
| in                           | mm    | in     | mm    | in                | mm     |                   |     |
| 4.00                         | 102   | .95    | 24.13 | .134              | 3.40   |                   |     |

SPECIFICATIONS

| PART NUMBER    |          | MAX. AXIAL DEFLECTION |      | MAX. AXIAL LOAD |      |
|----------------|----------|-----------------------|------|-----------------|------|
| NATURAL RUBBER | NEOPRENE | in                    | mm   | lb              | N    |
| 2680-73        | 2680-83  | .05                   | 1.27 | 500             | 2224 |
| 2680-76        | 2680-86  |                       |      | 900             | 4003 |
| 2680-77        | 2680-87  |                       |      | 1100            | 4893 |



|  |                  |
|--|------------------|
| TITLE: 2680  |                  |
| THE INFORMATION CONTAINED IN THIS DRAWING IS THE SOLE PROPERTY OF EBCU. ANY REPRODUCTION IN PART OR AS A WHOLE WITHOUT THE WRITTEN PERMISSION OF EBCU IS PROHIBITED. |                  |
| TOLERANCES PER RMA STANDARD A3   | REV. B           |
| DATE: 08-13-13   | UNITS: INCH [MM] |
| 1330 HOLMES RD. ELGIN, IL 60123  |                  |

SPECIFICATIONS SUBJECT TO CHANGE