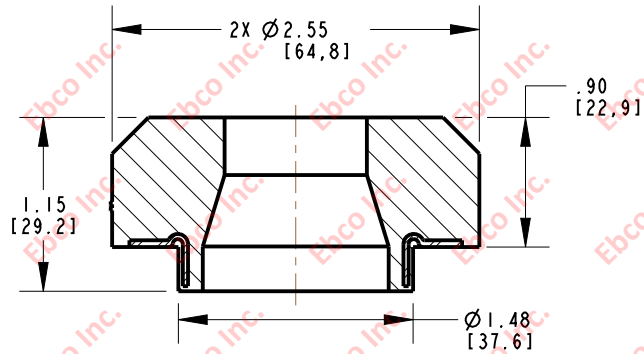
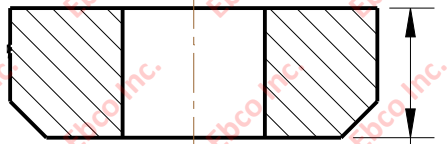
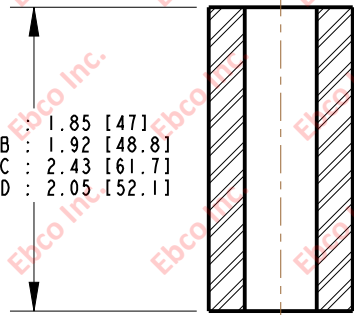


2448

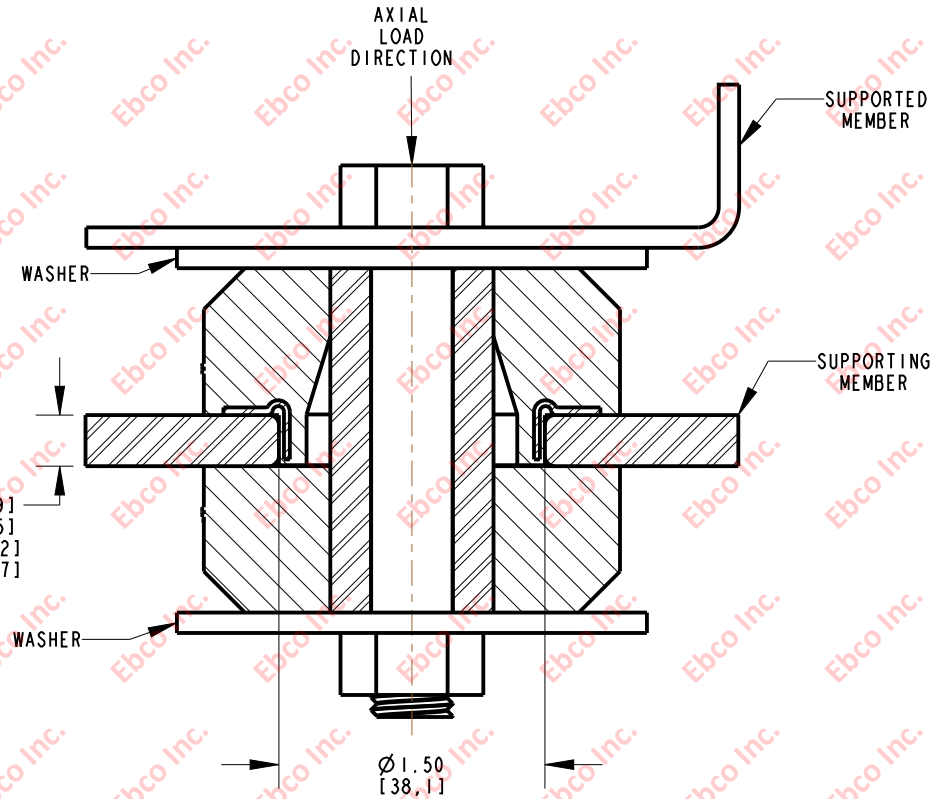


- 2448-XX : 1.85 [47.1]
- 2448-XX-B : 1.92 [48.8]
- 2448-XX-C : 2.43 [61.7]
- 2448-XX-D : 2.05 [52.1]



- 2448-XX : 0.313 [7.9]
- 2448-XX-B : 0.375 [9.5]
- 2448-XX-C : 0.875 [22.2]
- 2448-XX-D : 0.500 [12.7]

INSTALLATION VIEW (Shown under no load)



AXIAL:RADIAL RATIO - 4:1

SPECIFICATIONS

PART NUMBER		MAX. AXIAL DEFLECTION		MAX. AXIAL LOAD	
NATURAL RUBBER	NEOPRENE	in	mm	lb	N
2448-70	2448-80	.10	2.54	250	1112
2448-71	2448-81			350	1557
2448-72	2448-82			425	1891
2448-73	2448-83			500	2224
2448-74	2448-84			650	2892
2448-75	2448-85			750	3336
2448-76	2448-86			925	4115
2448-77	2448-87			1050	4671
2448-78	2448-88			1200	5338

INSTALLATION DIMENSIONS

RECOMMENDED BOLT INFORMATION				TIGHTENING TORQUE			
ENGLISH		METRIC		CLAMP LOAD		TIGHTENING TORQUE	
SIZE	GRADE	SIZE	CLASS	lb	N	ft-lb	N-m
5/8	5	M16	9.8	14408	64090	150	203
WASHER SPECIFICATIONS							
O.D.		I.D.		THICKNESS			
in	mm	in	mm	in	mm		
2.88	73.15	.64	16.26	.125	3.18		



TITLE: 2448		
THE INFORMATION CONTAINED IN THIS DRAWING IS THE SOLE PROPERTY OF EBCO ANY REPRODUCTION IN PART OR AS A WHOLE WITHOUT THE WRITTEN PERMISSION OF EBCO IS PROHIBITED.		
TOLERANCES PER RMA STANDARD A3	REV. E	DATE: 10-08-14 UNITS: INCH [MM]
1330 HOLMES RD. ELGIN, IL 60123		

SPECIFICATIONS SUBJECT TO CHANGE