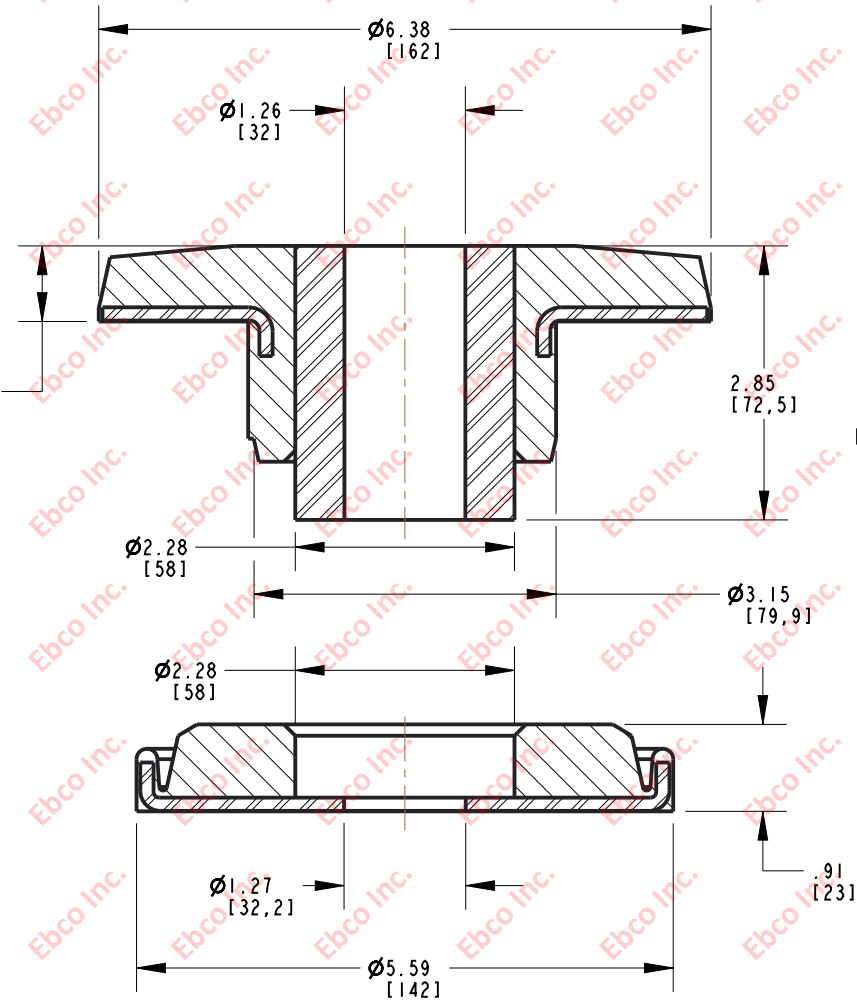


2369

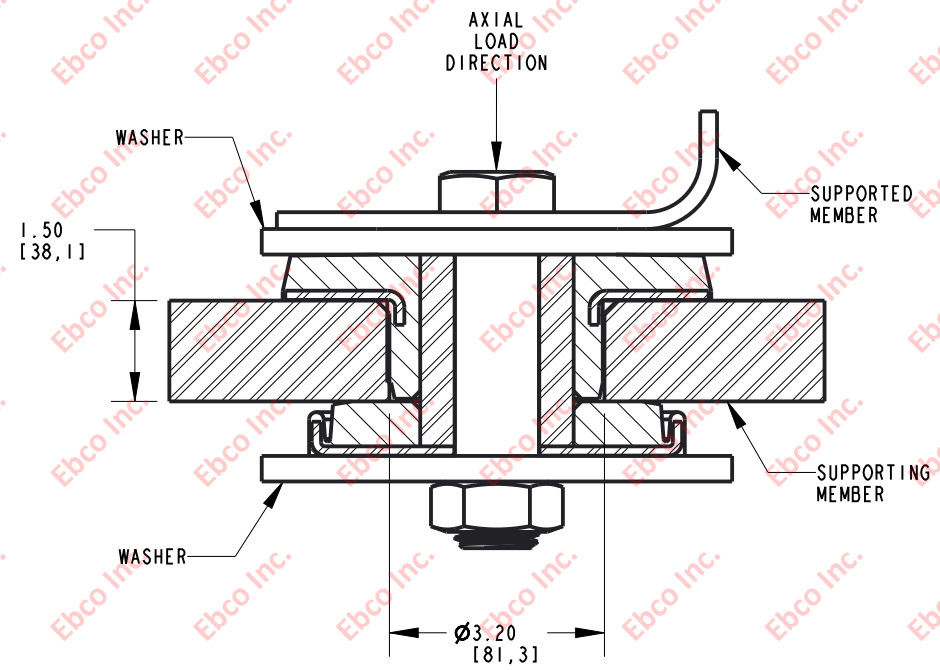
IMP. NO.

B

A



INSTALLATION VIEW (Shown under no load)



B

A

PART NUMBER		MAX. AXIAL DEFLECTION		MAX. AXIAL LOAD	
NATURAL RUBBER	NEOPRENE	in	mm	lb	N
2369-72	2369-82	.04	1.00	3,200	14,234
2369-76	2369-86			5,200	23,131

*PRELOAD = 1000LBS

RECOMMENDED BOLT INFORMATION				TIGHTENING TORQUE			
ENGLISH		METRIC		CLAMP LOAD		TIGHTENING TORQUE	
SIZE	GRADE	SIZE	CLASS	lb	kN	ft-lb	N-m
1.25	5	M30	9.8	53780	273	1120	1641
WASHER SPECIFICATIONS							
O.D.		I.D.		THICKNESS			
in	mm	in	mm	in	mm		
7.00	177.80	1.31	33.32	0.38	9.53		



TITLE: 2369	
THE INFORMATION CONTAINED IN THIS DRAWING IS THE SOLE PROPERTY OF EBCO. ANY REPRODUCTION IN PART OR AS A WHOLE WITHOUT THE WRITTEN PERMISSION OF EBCO IS PROHIBITED.	
TOLERANCES PER RMA STANDARD A3	REV. C
DATE: 04-13-20	UNITS: [INCH] [MM]
1330 HOLMES RD. ELGIN, IL 60123	

SPECIFICATIONS SUBJECT TO CHANGE