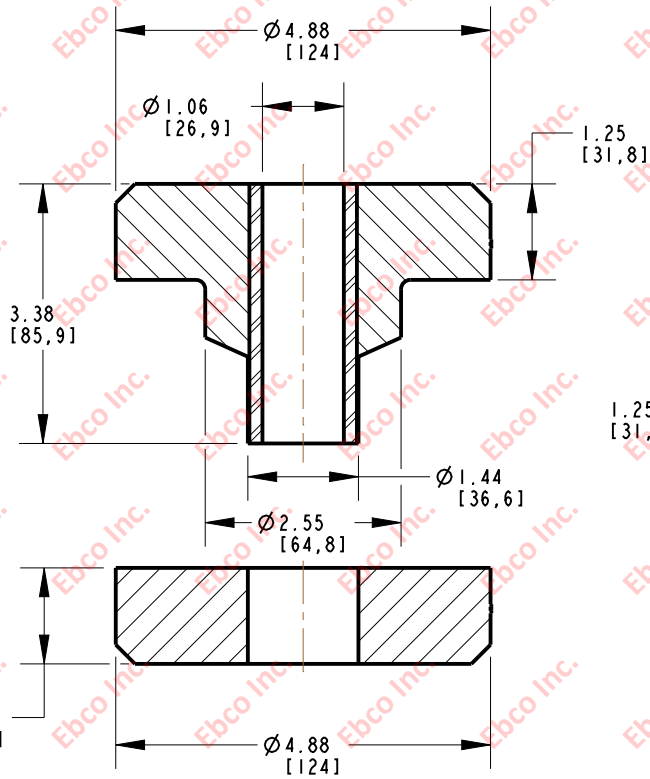
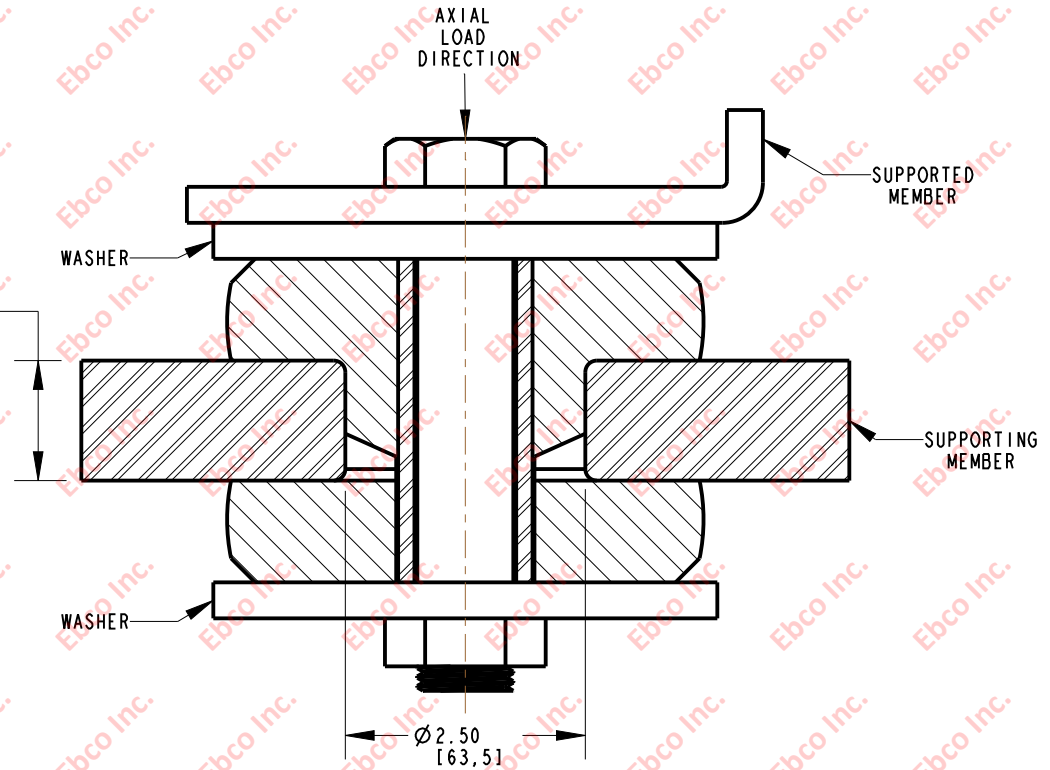


2360

DRG. NO.



INSTALLATION VIEW (Shown under no load)



SPECIFICATIONS

PART NUMBER		MAX. AXIAL DEFLECTION		MAX. AXIAL LOAD	
NATURAL RUBBER	NEOPRENE	in	mm	lb	N
2360-70	2360-80	12	3.05	1200	5338
2360-71	2360-81			1700	7565
2360-72	2360-82			2000	8900
2360-73	2360-83			2250	10012
2360-74	2360-84			2650	11792
2360-75	2360-85			3200	14234
2360-76	2360-86			3700	16465
2360-77	2360-87			4600	20470
2360-78	2360-88			5000	22250
2360-79	2360-89			5700	25355

INSTALLATION DIMENSIONS

RECOMMENDED BOLT INFORMATION				TIGHTENING TORQUE			
ENGLISH		METRIC		CLAMP LOAD		TIGHTENING TORQUE	
SIZE	GRADE	SIZE	CLASS	lb	N	ft-lb	N-m
1.0	5	M24	9.8	33633	149607	561	757
WASHER SPECIFICATIONS							
O.D.		I.D.		THICKNESS			
in	mm	in	mm	in	mm		
5.25	133	1.063	27.00	.375	9.52		



TITLE:	2360		
THE INFORMATION CONTAINED IN THIS DRAWING IS THE SOLE PROPERTY OF EBCO ANY REPRODUCTION IN PART OR AS A WHOLE WITHOUT THE WRITTEN PERMISSION OF EBCO IS PROHIBITED.			
TOLERANCES PER RMA STANDARD A3	REV. C	DATE: 08-12-13	UNITS INCH [MM]
1330 HOLMES RD. ELGIN, IL 60123			

SPECIFICATIONS SUBJECT TO CHANGE