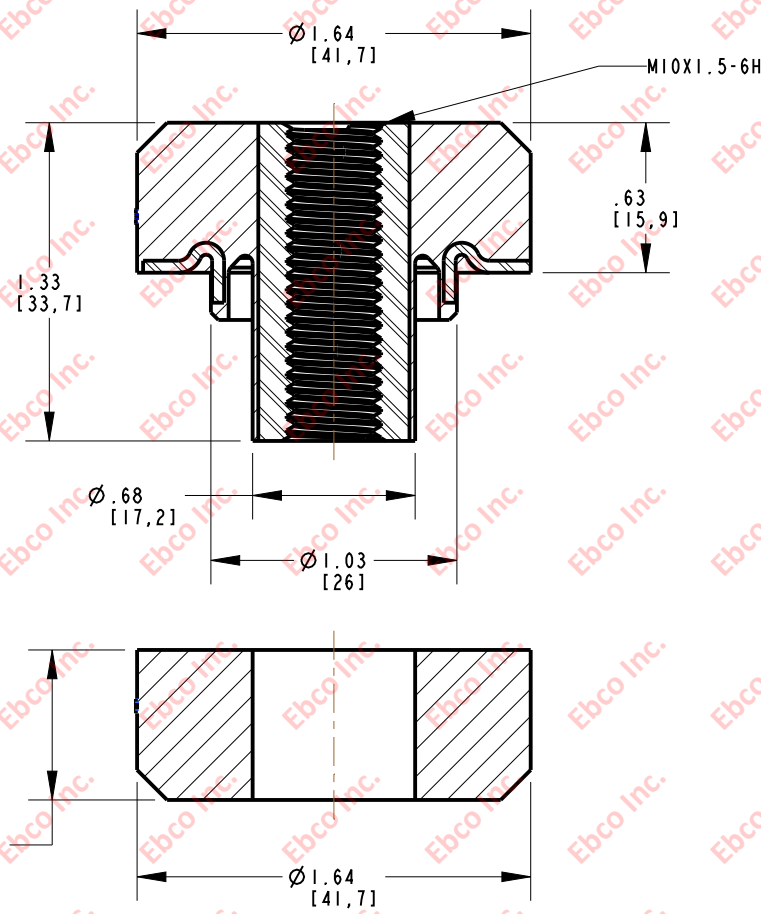
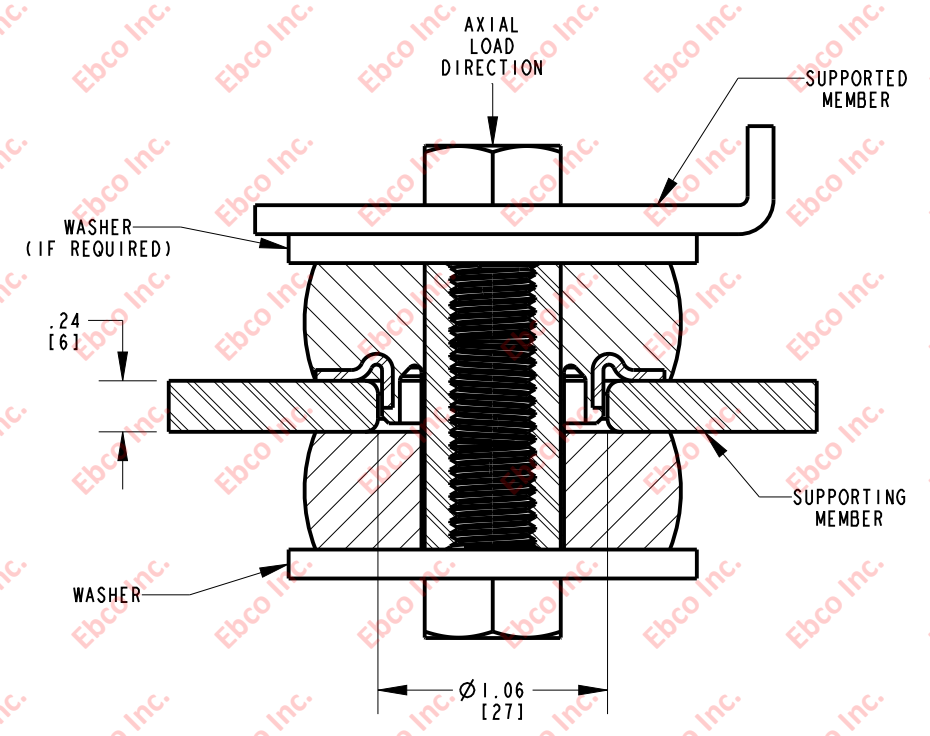


2325A



INSTALLATION VIEW (Shown under no load)



RECOMMENDED BOLT INFORMATION		TIGHTENING TORQUE			
METRIC		CLAMP LOAD		TIGHTENING TORQUE	
SIZE	CLASS	lb	N	ft-lb	N-m
M10	9.8	6362	28300	41.7	56,5

WASHER SPECIFICATIONS					
O.D.		I.D.		THICKNESS	
in	mm	in	mm	in	mm
1.88	48,0	.41	10,5	.134	3,40

PART NUMBER		MAX. AXIAL DEFLECTION		MAX. AXIAL LOAD	
NATURAL RUBBER	NEOPRENE	in	mm	lb	N
2325A-75	2325A-85	0.06	1,52	260	1156
2325A-76	2325A-86			325	1446
2325A-77	2325A-87			410	1824



TITLE: 2325A

THE INFORMATION CONTAINED IN THIS DRAWING IS THE SOLE PROPERTY OF EBCU. ANY REPRODUCTION IN PART OR AS A WHOLE WITHOUT THE WRITER PERMISSION OF EBCU IS PROHIBITED.

TOLERANCES PER RMA STANDARD A3

REV. A

DATE: 07-07-14

UNITS: INCH [MM]

1330 HOLMES RD. ELGIN, IL 60123

SPECIFICATIONS SUBJECT TO CHANGE