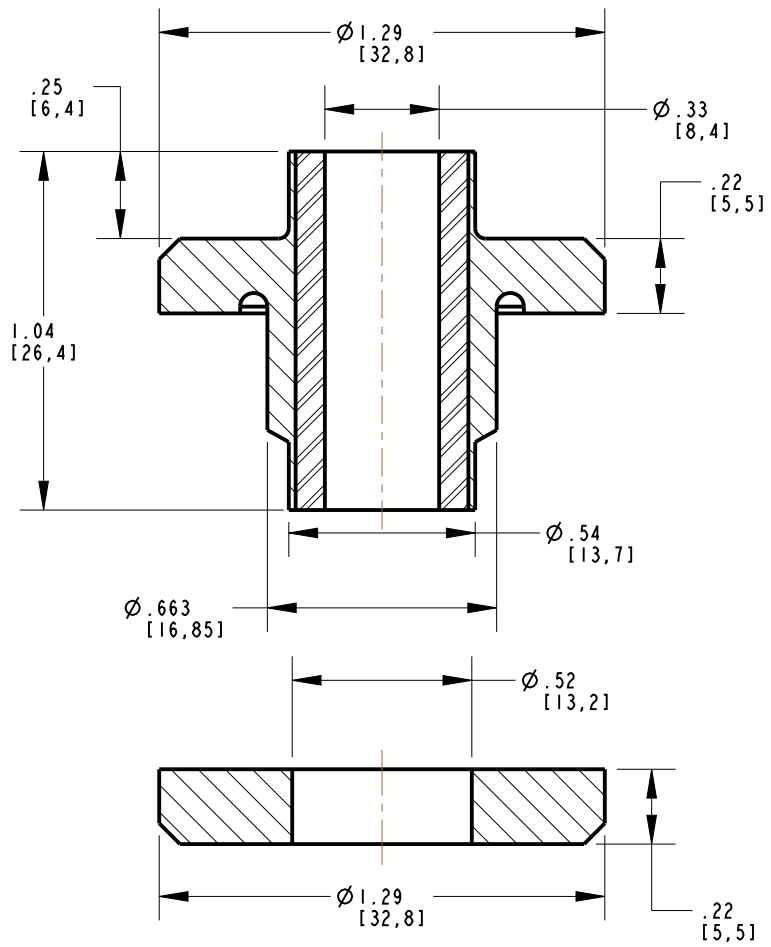
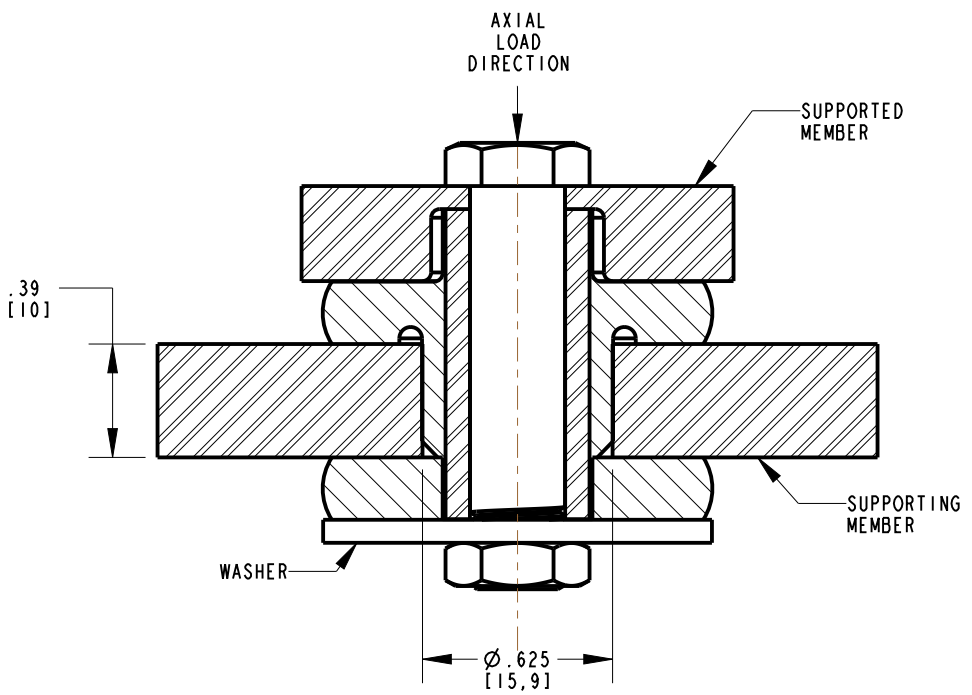


2306

DWG. NO.



INSTALLATION VIEW (Shown under no load)



PART NO.	DUROMETER (SHORE A)
NATURAL RUBBER	±5
2306-75	60

	TITLE:	2306	
	<small>THE INFORMATION CONTAINED IN THIS DRAWING IS THE SOLE PROPERTY OF EBCO ANY REPRODUCTION IN PART OR AS A WHOLE WITHOUT THE WRITTEN PERMISSION OF EBCO IS PROHIBITED.</small>		
	TOLERANCES PER RMA STANDARD A3	REV. D	DATE: 05-29-19
			UNITS: INCH [MM]
1330 HOLMES RD. ELGIN, IL 60123			
SPECIFICATIONS SUBJECT TO CHANGE			