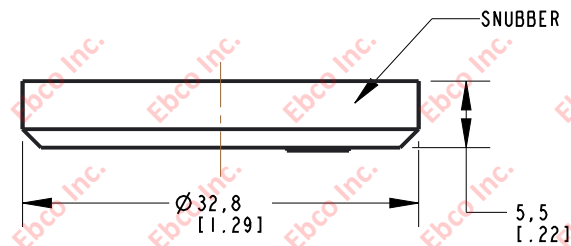
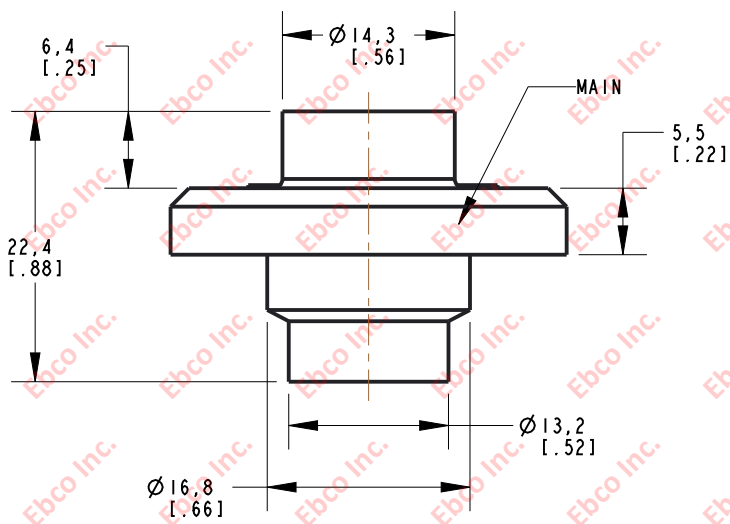
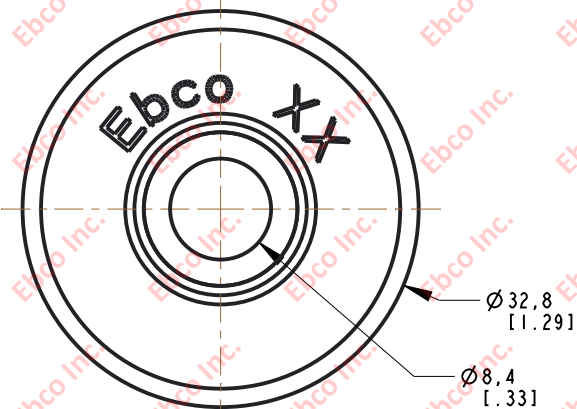
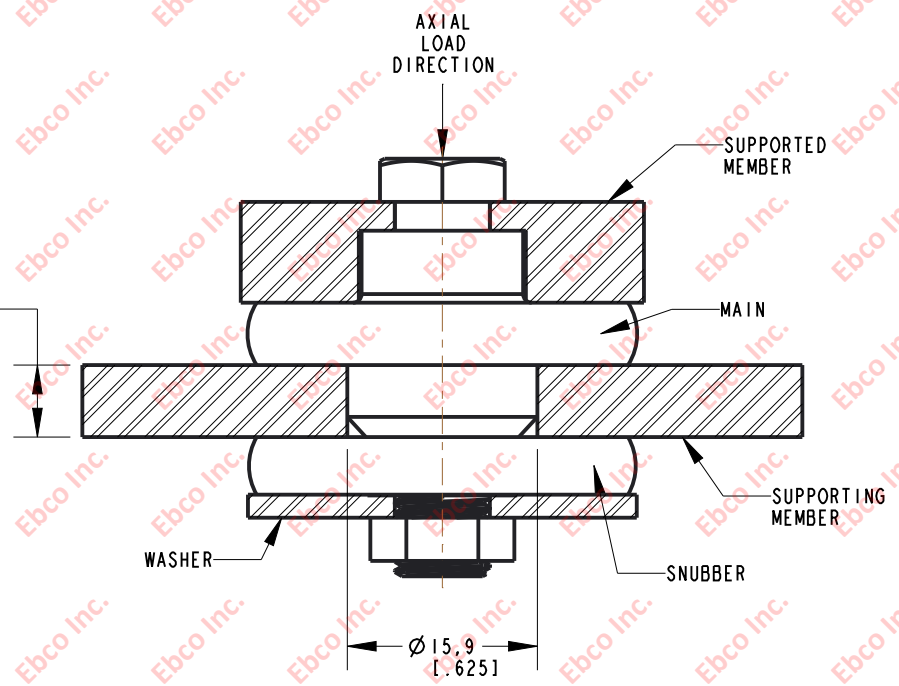


2305

DWG. NO.



INSTALLATION VIEW (Shown under no load)



SPECIFICATIONS

PART NUMBER		DUROMETER (SHORE A)
NATURAL RUBBER	NEOPRENE	±5
2305-73	2305-83	50
2305-74	2305-84	55
2305-75	2305-85	60

TITLE: 2305

THE INFORMATION CONTAINED IN THIS DRAWING IS THE SOLE PROPERTY OF EBCO. ANY REPRODUCTION IN PART OR AS A WHOLE WITHOUT THE WRITTEN PERMISSION OF EBCO IS PROHIBITED.

TOLERANCES PER RMA STANDARD A3	REV. B	DATE: 06-08-21
		UNITS: mm [INCH]

1330 HOLMES RD. ELGIN, IL 60123

SPECIFICATIONS SUBJECT TO CHANGE