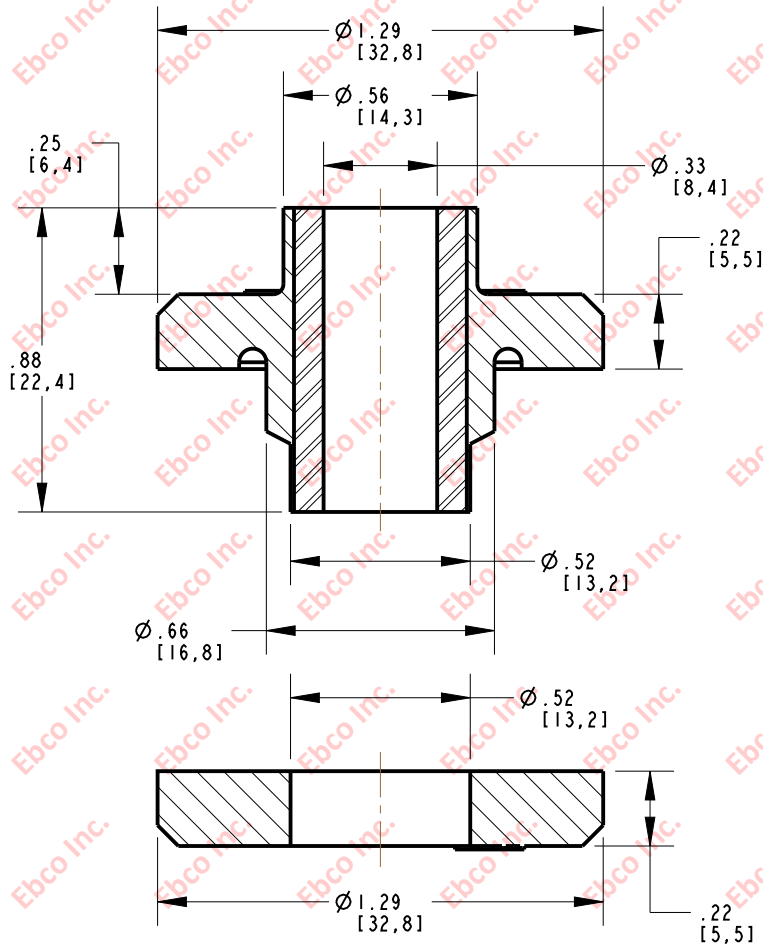
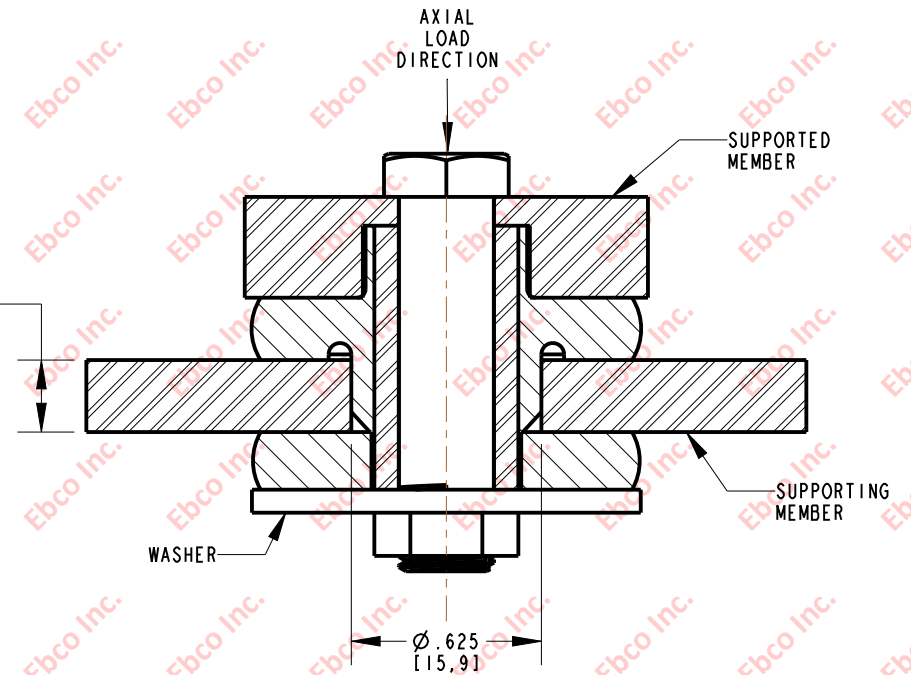


2305



INSTALLATION VIEW (Shown under no load)



SPECIFICATIONS

PART NUMBER		DUROMETER (SHORE A) ±5
NATURAL RUBBER	NEOPRENE	
2305-73	2305-83	50
2305-74	2305-84	55
2305-75	2305-85	60

	TITLE: 2305
	THE INFORMATION CONTAINED IN THIS DRAWING IS THE SOLE PROPERTY OF EBCO. ANY REPRODUCTION IN PART OR AS A WHOLE WITHOUT THE WRITTEN PERMISSION OF EBCO IS PROHIBITED.
	TOLERANCES PER RMA STANDARD A3 REV. A DATE: 07-16-20 UNITS: INCH [MM]
	1330 HOLMES RD. ELGIN, IL 60123

SPECIFICATIONS SUBJECT TO CHANGE