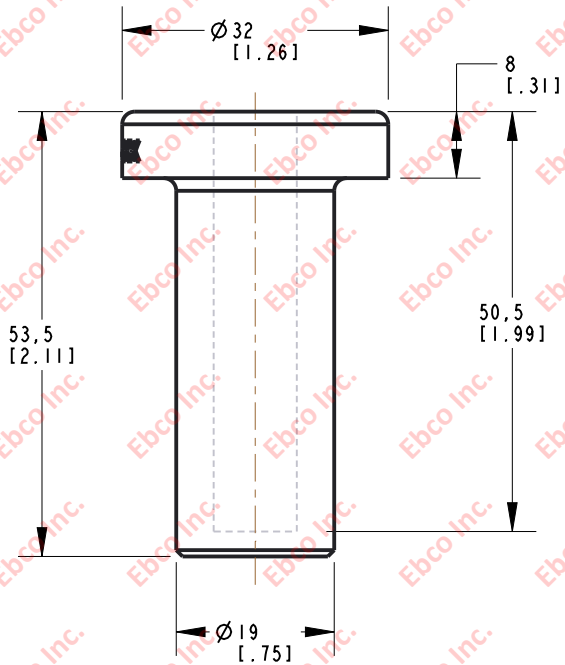
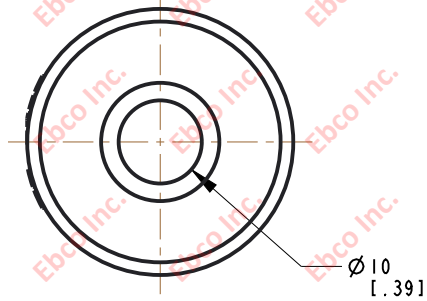
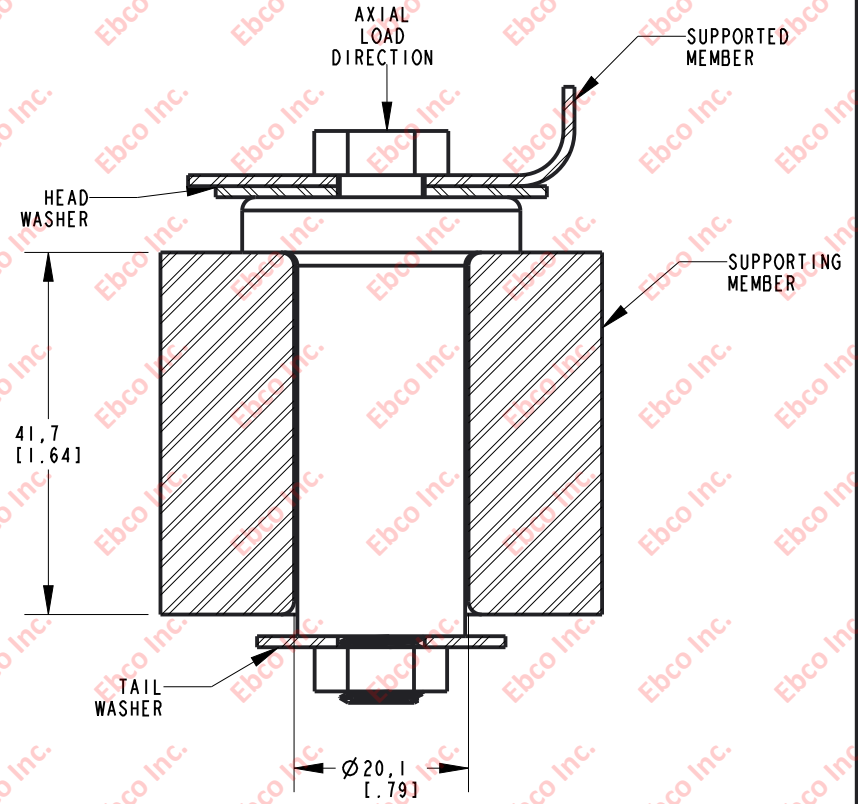


2121



INSTALLATION VIEW (Shown under no load)



INSTALLATION DIMENSIONS

RECOMMENDED BOLT INFORMATION				TIGHTENING TORQUE			
ENGLISH		METRIC		CLAMP LOAD		TIGHTENING TORQUE	
SIZE	GRADE	SIZE	CLASS	lb	N	ft-lb	N-m
3/8	5	M8	9.8	4941	17800	30.9	28.6

WASHER SPECIFICATIONS

TYPE	O. D.		I. D.		THICKNESS	
	in	mm	in	mm	in	mm
HEAD	1.50	38.1	.40	10.2	.125	3.18
TAIL	1.13	28.6	.40	10.2		

SPECIFICATIONS

PART NUMBER		MAX. AXIAL DEFLECTION		MAX. AXIAL LOAD	
NITRILE	NEOPRENE	in	mm	lb	N
2121-57	2121-87	.03	.76	195	867



TITLE:	2121
THE INFORMATION CONTAINED IN THIS DRAWING IS THE SOLE PROPERTY OF EBCO ANY REPRODUCTION IN PART OR AS A WHOLE WITHOUT THE WRITTEN PERMISSION OF EBCO IS PROHIBITED.	
TOLERANCES PER RMA STANDARD	REV. C
A3	DATE: 06-08-21
	UNITS: mm [ INCH ]

1330 HOLMES RD. ELGIN, IL 60123

SPECIFICATIONS SUBJECT TO CHANGE