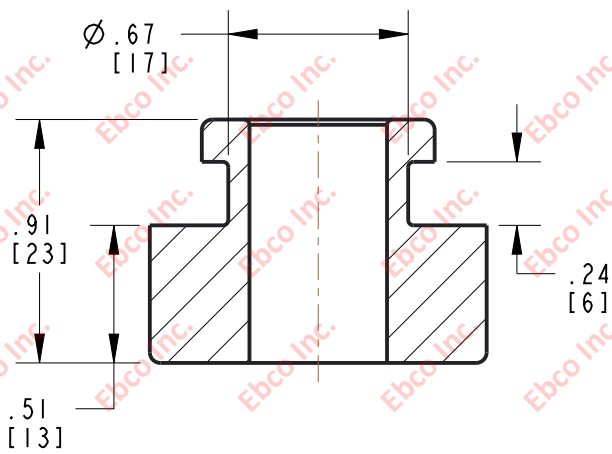
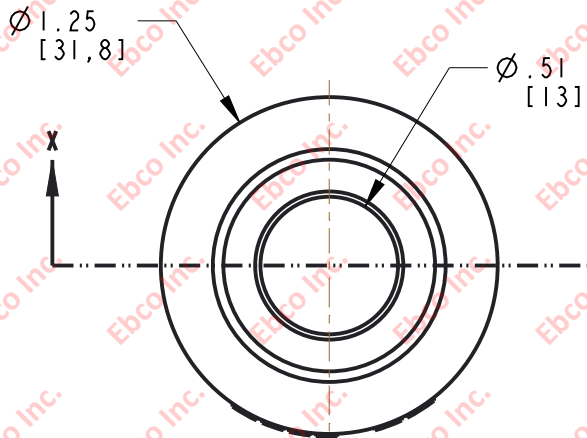



2050



SECTION X-X

	TITLE: 2050	
	<small>THE INFORMATION CONTAINED IN THIS DRAWING IS THE SOLE PROPERTY OF EBSCO. ANY REPRODUCTION IN PART OR AS A WHOLE WITHOUT THE WRITTEN PERMISSION OF EBSCO IS PROHIBITED.</small>	
	TOLERANCES PER RMA STANDARD A3	REV. <b>B</b> DATE: 06-17-20 UNITS: INCH [MM]
	1330 HOLMES RD. ELGIN, IL 60123	
SPECIFICATIONS SUBJECT TO CHANGE		

\*AVAILABLE IN A VARIETY OF MATERIALS AND STIFFNESS