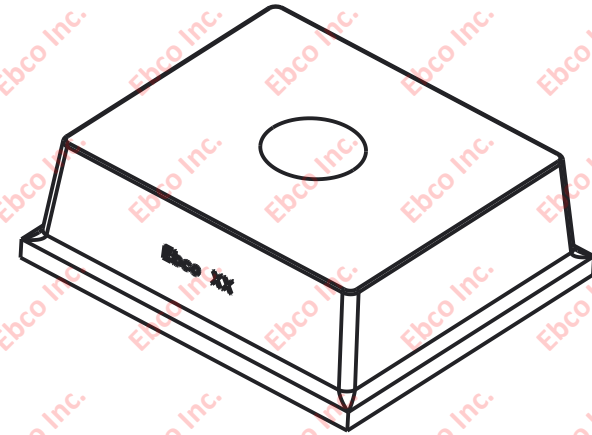
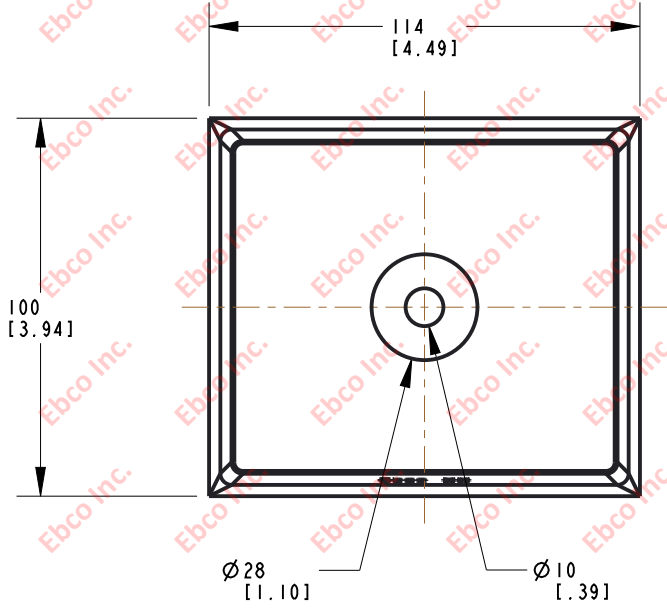
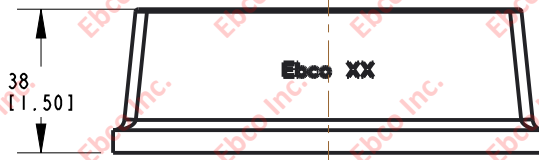


1851

DWG. NO.



SCALE 0.500



PART NO.		DUROMETER (SHORE A)
NATURAL RUBBER	NEOPRENE	±5
1851-75	1851-85	60

	TITLE: 1851
	THE INFORMATION CONTAINED IN THIS DRAWING IS THE SOLE PROPERTY OF EBCO. ANY REPRODUCTION IN PART OR AS A WHOLE WITHOUT THE WRITTEN PERMISSION OF EBCO IS PROHIBITED.
	TOLERANCES PER RMA STANDARD A3
	REV. B
DATE: 06-15-21	UNITS: mm [INCH]
1330 HOLMES RD. ELGIN, IL 60123	
SPECIFICATIONS SUBJECT TO CHANGE	