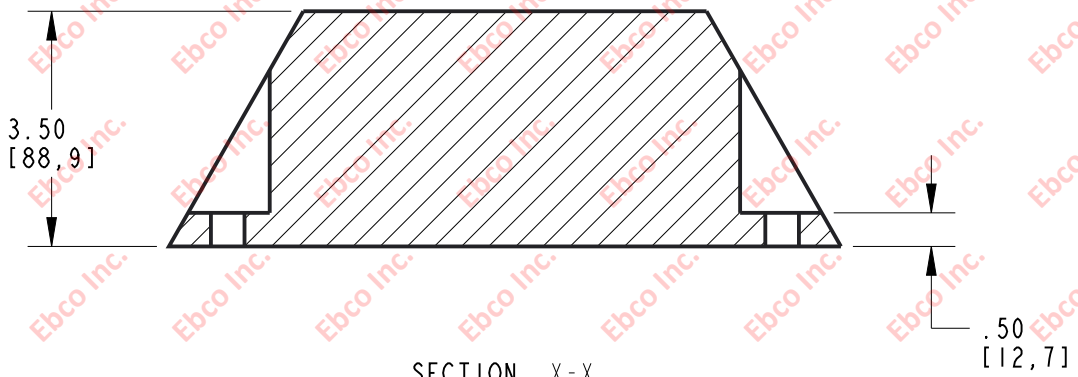
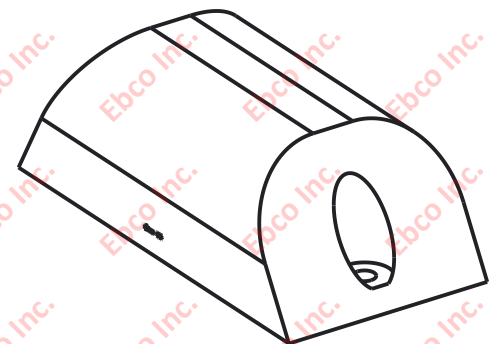
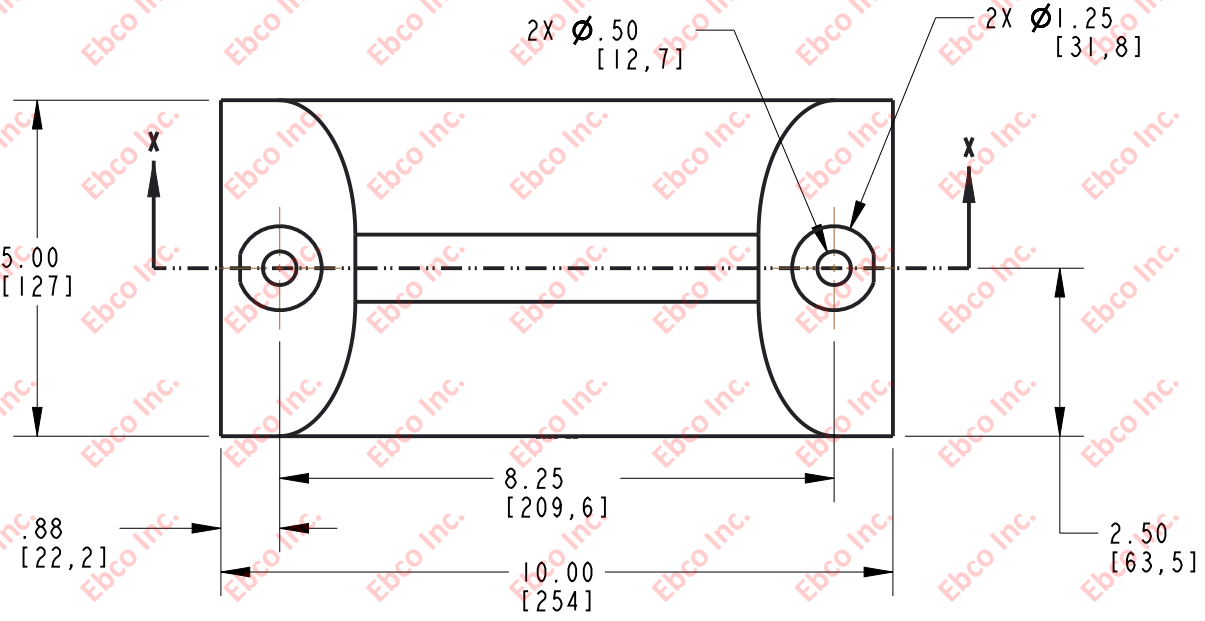


1843

IMP. NO.



SECTION X-X



TITLE: 1843	
THE INFORMATION CONTAINED IN THIS DRAWING IS THE SOLE PROPERTY OF EBSCO. ANY REPRODUCTION IN PART OR AS A WHOLE WITHOUT THE WRITTEN PERMISSION OF EBSCO IS PROHIBITED.	
TOLERANCES PER RMA STANDARD A3	REV. B
DATE: 01-20-20	UNITS: INCH [MM]
1330 HOLMES RD. ELGIN, IL 60123	

SPECIFICATIONS SUBJECT TO CHANGE

• AVAILABLE IN A VARIETY OF MATERIALS AND STIFFNESS