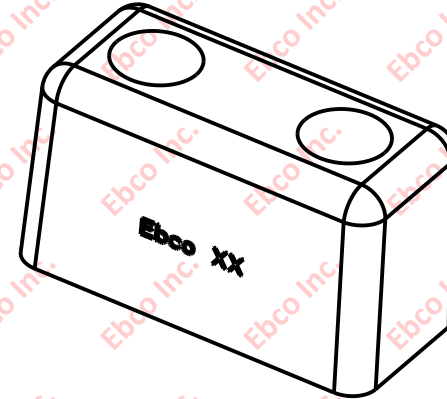
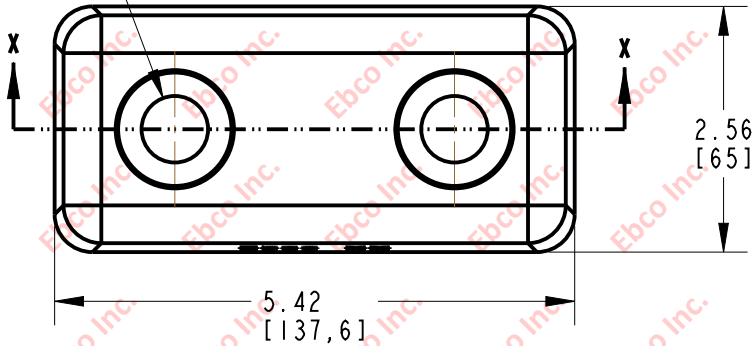


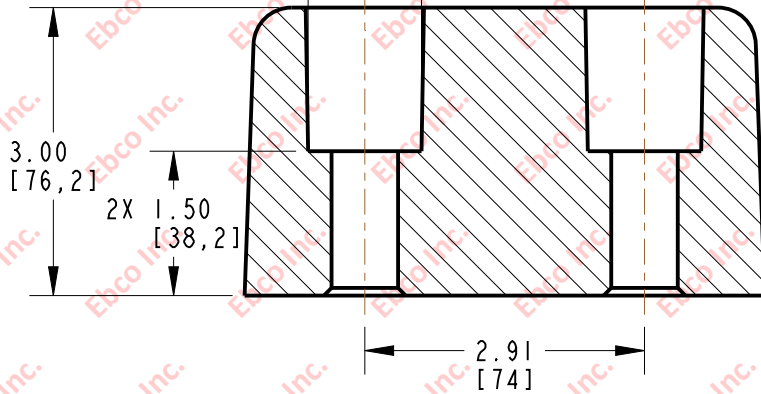
1842

2X Ø .69
[17,6]



SCALE 0.400

2X Ø 1.18
[30]



SECTION X-X

* AVAILABLE IN A VARIETY OF MATERIALS AND STIFFNESS



TITLE: 1842	
THE INFORMATION CONTAINED IN THIS DRAWING IS THE SOLE PROPERTY OF EBCO. ANY REPRODUCTION IN PART OR AS A WHOLE WITHOUT THE WRITTEN PERMISSION OF EBCO IS PROHIBITED.	
TOLERANCES PER RMA STANDARD A3	REV. A
DATE: 05-10-17	UNITS: INCH [MM]

1330 HOLMES RD. ELGIN, IL 60123

SPECIFICATIONS SUBJECT TO CHANGE