

1573

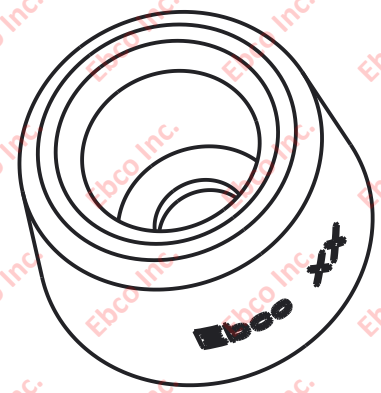
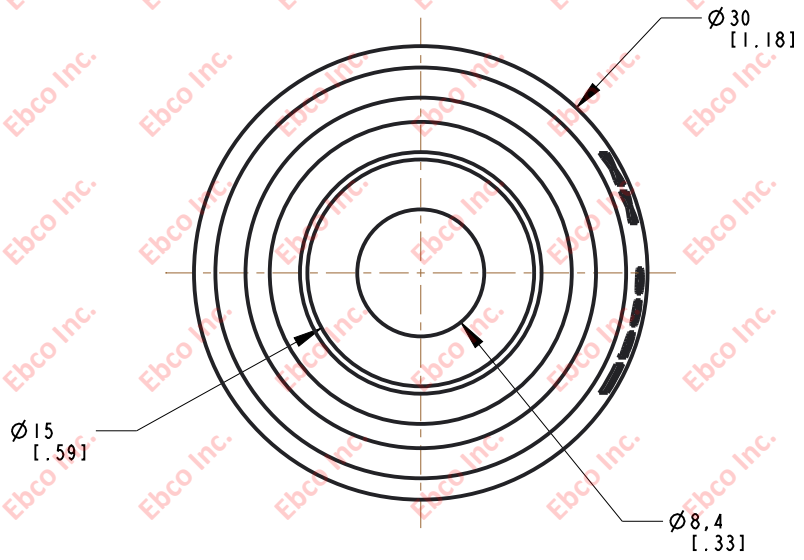
DRG. NO.

B

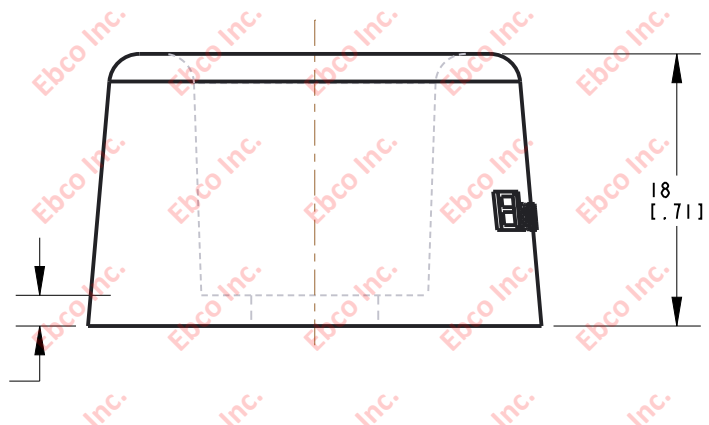
A

2

1



B



A

\*AVAILABLE IN A VARIETY OF MATERIALS AND STIFFNESS

2



TITLE: 1573	
THE INFORMATION CONTAINED IN THIS DRAWING IS THE SOLE PROPERTY OF EBCO ANY REPRODUCTION IN PART OR AS A WHOLE WITHOUT THE WRITTEN PERMISSION OF EBCO IS PROHIBITED.	
TOLERANCES PER RMA STANDARD A3	REV. B
DATE: 06-15-21	UNITS: mm [INCH]
1330 HOLMES RD. ELGIN, IL 60123	
SPECIFICATIONS SUBJECT TO CHANGE	