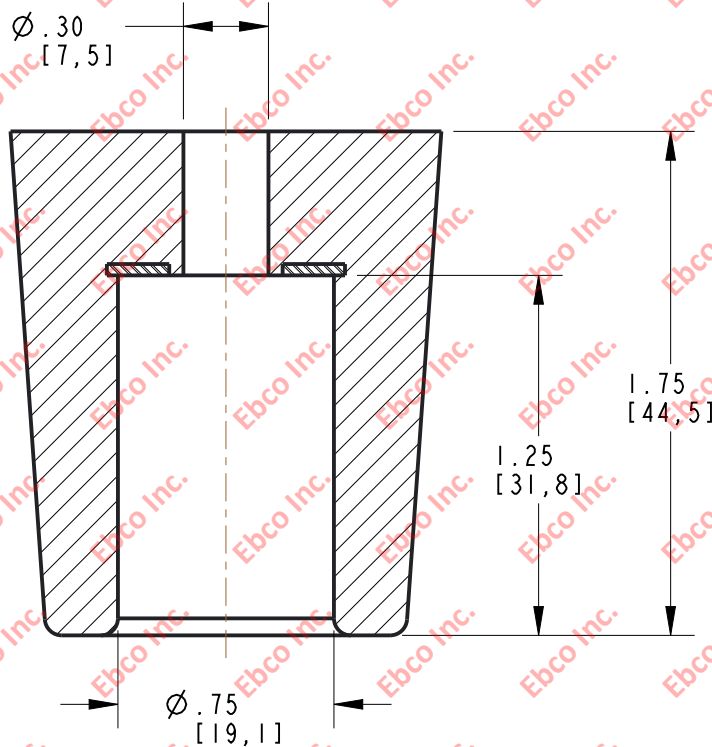
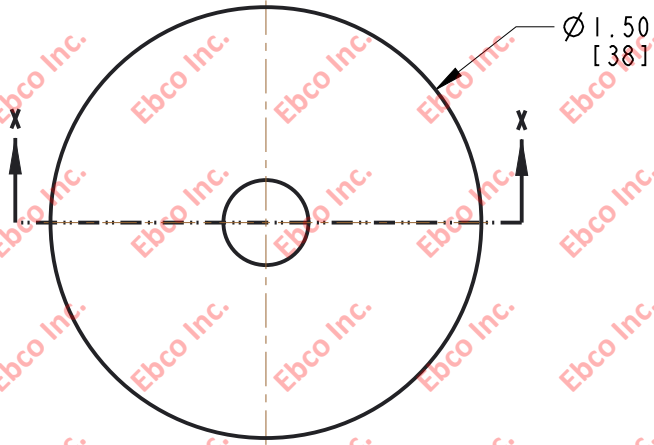
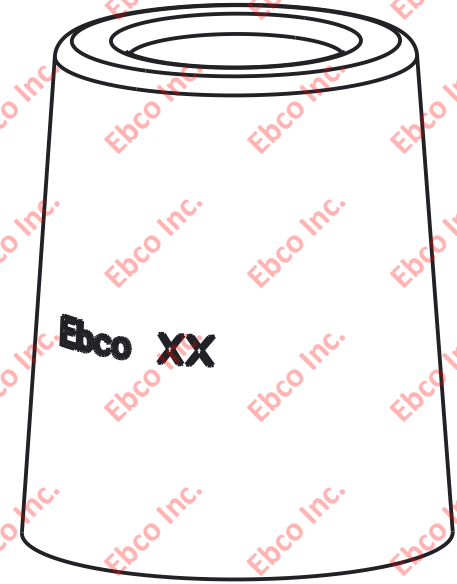


1565



SECTION X-X



TITLE: 1565

THE INFORMATION CONTAINED IN THIS DRAWING IS THE SOLE PROPERTY OF EBSCO. ANY REPRODUCTION IN PART OR AS A WHOLE WITHOUT THE WRITTEN PERMISSION OF EBSCO IS PROHIBITED.

TOLERANCES PER RMA STANDARD A3

REV. A

DATE: 12-22-20 UNITS: INCH [MM]

1330 HOLMES RD. ELGIN, IL 60123

SPECIFICATIONS SUBJECT TO CHANGE

*AVAILABLE IN A VARIETY OF MATERIALS AND STIFFNESS