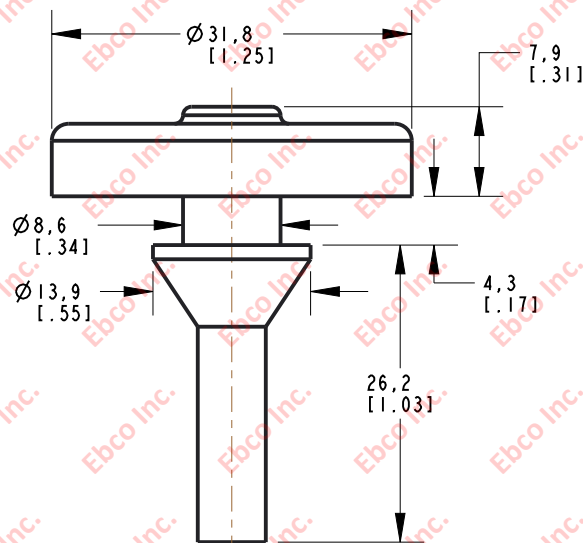
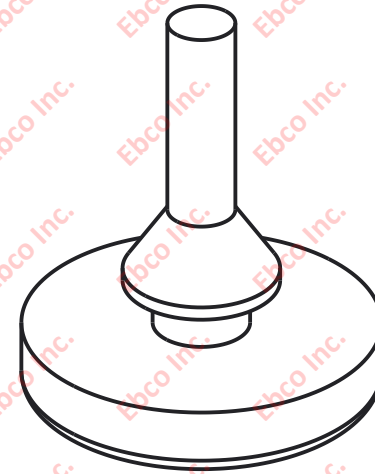
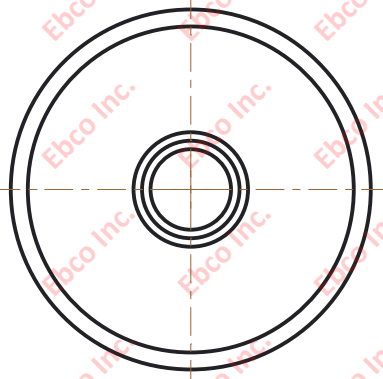


1348

DWG. NO.



*AVAILABLE IN A VARIETY OF MATERIALS AND STIFFNESS

	TITLE: 1348	
	THE INFORMATION CONTAINED IN THIS DRAWING IS THE SOLE PROPERTY OF EBCO ANY REPRODUCTION IN PART OR AS A WHOLE WITHOUT THE WRITTEN PERMISSION OF EBCO IS PROHIBITED.	
	TOLERANCES PER RMA STANDARD A3	REV. B
	DATE: 06-14-21	UNITS: mm [INCH]
1330 HOLMES RD. ELGIN, IL 60123		SPECIFICATIONS SUBJECT TO CHANGE