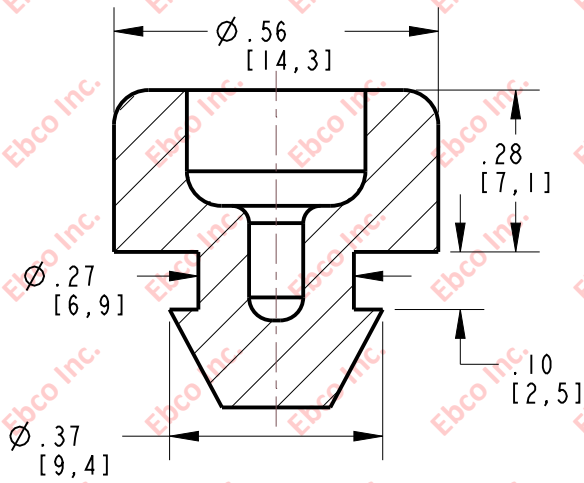
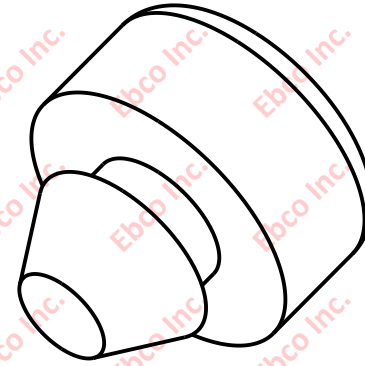
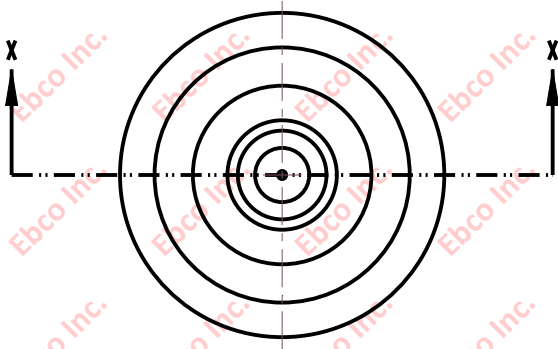



1319

IMP. NO.



SECTION X-X

*AVAILABLE IN A VARIETY OF MATERIALS AND STIFFNESS

	TITLE: 1319	
	<small>THE INFORMATION CONTAINED IN THIS DRAWING IS THE SOLE PROPERTY OF EBCO. ANY REPRODUCTION IN PART OR AS A WHOLE WITHOUT THE WRITTEN PERMISSION OF EBCO IS PROHIBITED.</small>	
	TOLERANCES PER RMA STANDARD A3	REV. A DATE: 08-10-20 UNITS: INCH [MM]
	1330 HOLMES RD. ELGIN, IL 60123	
SPECIFICATIONS SUBJECT TO CHANGE		