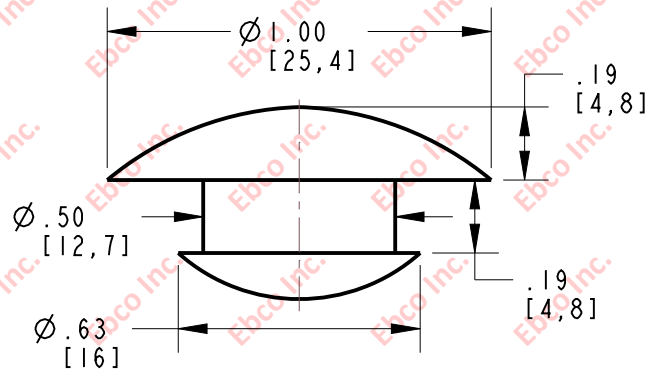
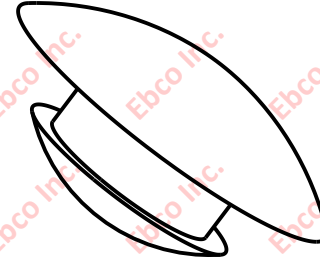
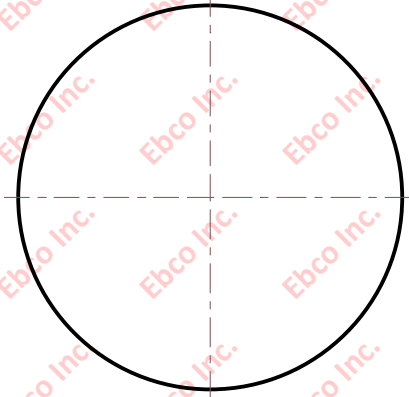


1315

DRG. NO.


B



B

A

\*AVAILABLE IN A VARIETY OF MATERIALS AND STIFFNESS

	TITLE: 1315	
	<small>THE INFORMATION CONTAINED IN THIS DRAWING IS THE SOLE PROPERTY OF EBSCO. ANY REPRODUCTION IN PART OR AS A WHOLE WITHOUT THE WRITTEN PERMISSION OF EBSCO IS PROHIBITED.</small>	
	TOLERANCES PER RMA STANDARD A3	REV. <b>A</b> DATE: 08-10-20 UNITS: INCH [MM]
	1330 HOLMES RD. ELGIN, IL 60123	
SPECIFICATIONS SUBJECT TO CHANGE		

2