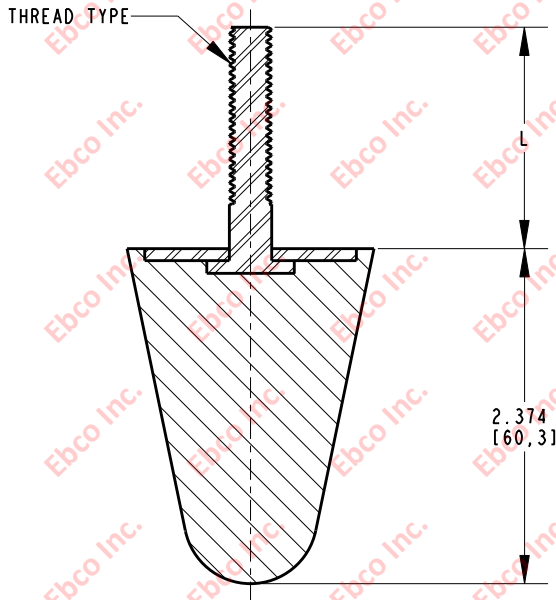
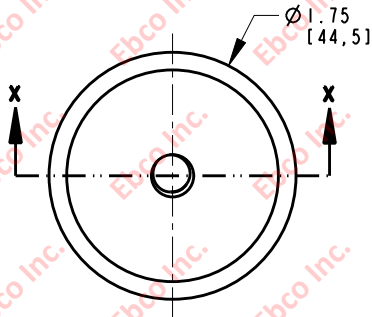


1110



HARDWARE SPECIFICATIONS

PART NO.	THREAD TYPE	L
1110-XX-F5	5/16-18	.625 [15, 9]
1110-XX-H15	3/8-16	1.65 [42, 0]

AXIAL COMPRESSION SPECIFICATIONS

PART NUMBER		MAX. RECOMMENDED STATIC LOAD		REFERENCE STIFFNESS	
NATURAL RUBBER	NEOPRENE	lb	N	lb/in	N/mm
1110-71-XX	1110-81-XX	20	89	80	14
1110-73-XX	1110-83-XX	35	156	140	25
1110-75-XX	1110-85-XX	55	245	220	39



TITLE: 1110	
<small>THE INFORMATION CONTAINED IN THIS DRAWING IS THE SOLE PROPERTY OF EBCO. ANY REPRODUCTION IN PART OR AS A WHOLE WITHOUT THE WRITTEN PERMISSION OF EBCO IS PROHIBITED.</small>	
TOLERANCES PER RMA STANDARD A3	REV. A
DATE: 06-18-12	UNITS: INCH [MM]
1330 HOLMES RD. ELGIN, IL 60123	